

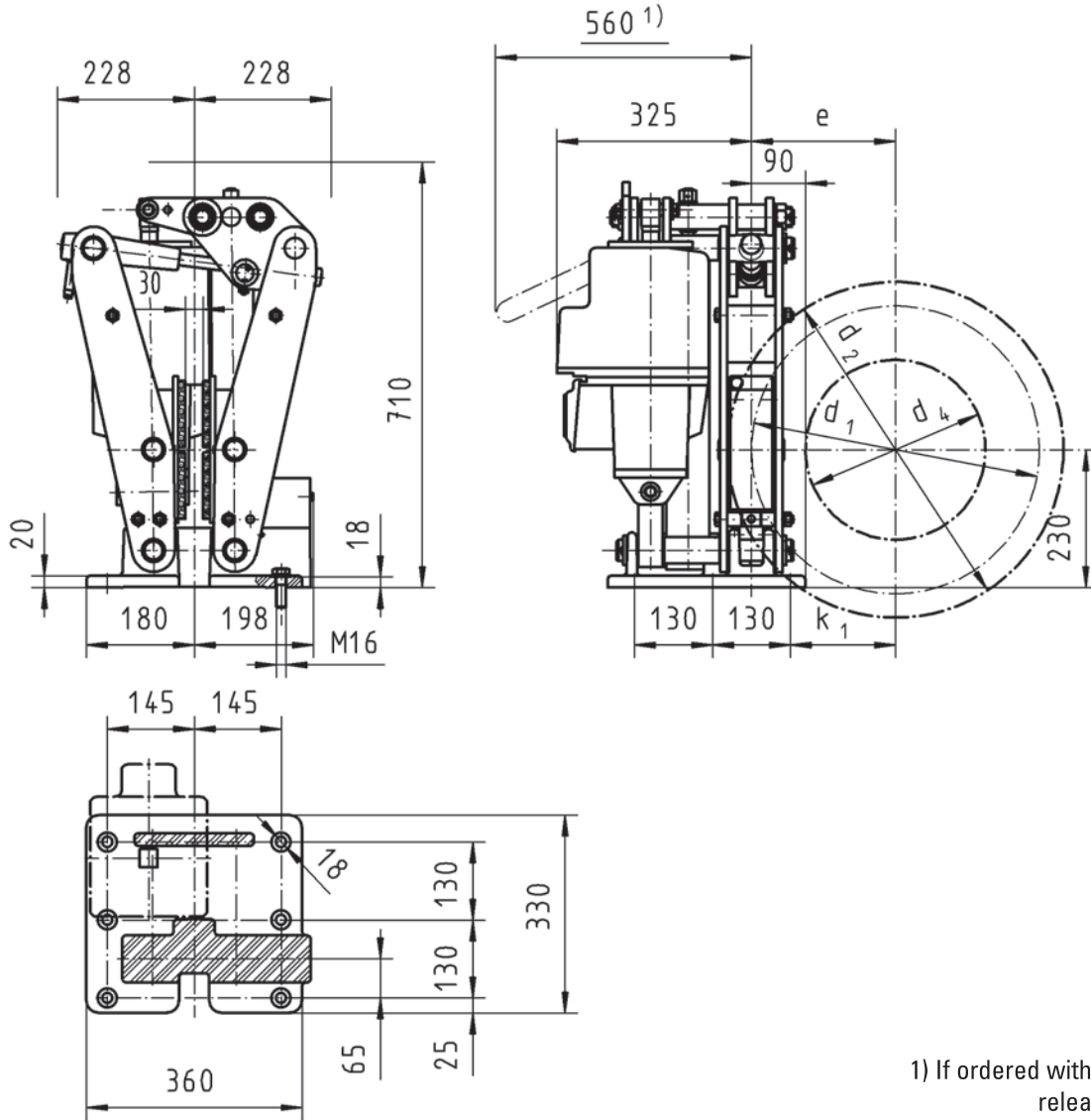
Disc Brake SB 23

Dimensions and technical data



A

Rev. 05-08



1) If ordered with manual release lever

*) Average friction factor of standard material combination

For crane brake lay-out use safety factors documented in the FEM 1.001, Section 1

All dimensions in mm
Alterations reserved without notice

Weight: 97 kg w/o thruster		Thruster type			Ed 50/6	Ed 80/6	Ed 80/7bb
		Contact force in N			8500	12500	16000
Disc Ø	Friction Ø				Brake torque M _{Br} in Nm		Friction factor μ = 0,4*
d ₂	d ₁	d ₄	e	k ₁			
355	275	155	137,5	72,5	935		
400	320	200	160	95	1085	1600	2050
450	370	250	185	120	1255	1850	2370
500	420	300	210	145	1425	2100	2690
560	480	360	240	175	1630	2400	3070
630	550	430	275	210	1870	2750	3520