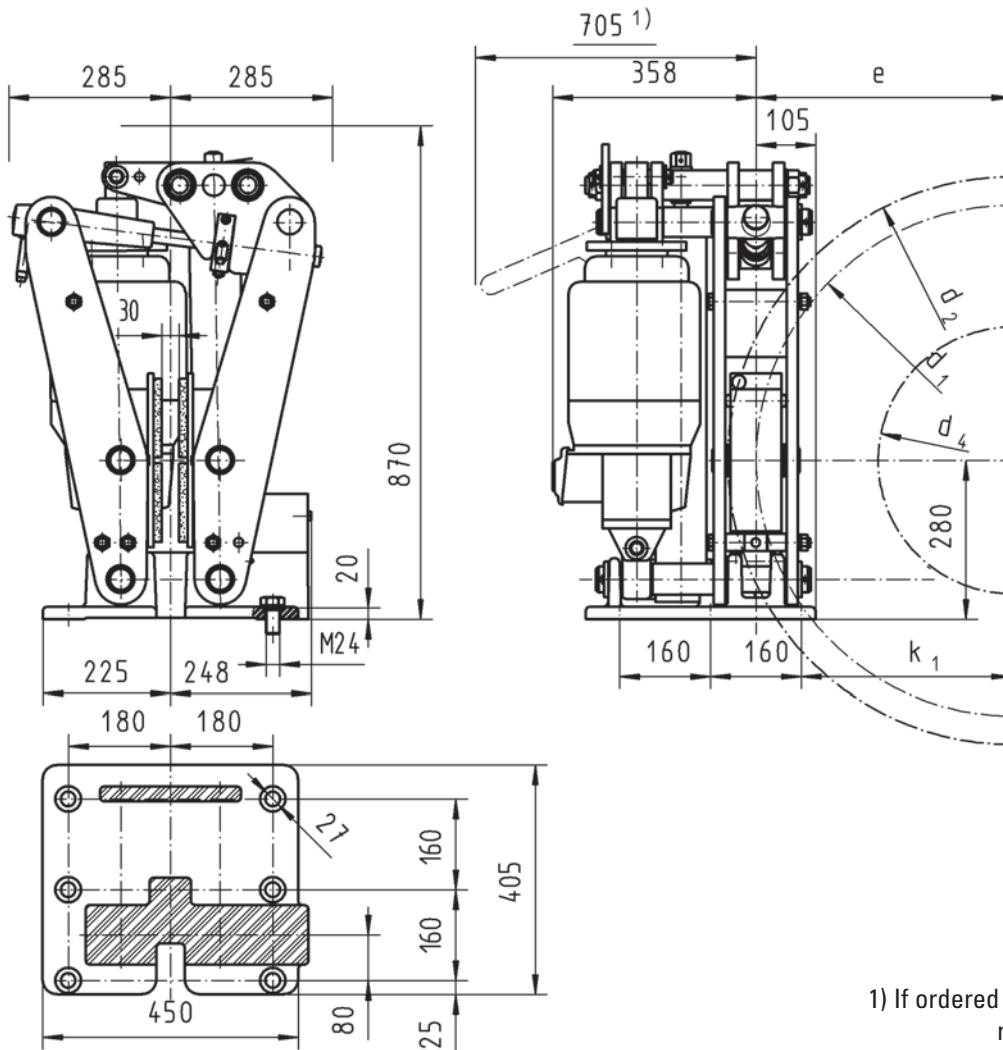


# Disc Brake SB 28

Dimensions and technical data



Rev. 05-08



1) If ordered with manual release lever

\*) Average friction factor of standard material combination

For crane brake lay-out use safety factors documented in the FEM 1.001, Section 1

All dimensions in mm  
Alterations reserved without notice

Weight: 220 kg w/o thruster		Thruster type			Ed 121/6	Ed 201/6	Ed 301/6	Ed 301/10bb
		Contact force in N			19500	31500	46000	62500
Disc Ø	Friction Ø				Brake torque M <sub>Br</sub> in Nm		Friction factor μ = 0,4*	
d <sub>2</sub>	d <sub>1</sub>	d <sub>4</sub>	e	k <sub>1</sub>				
450	350	200	175	95	2700			
500	400	250	200	120	3100			
560	460	310	230	150	3550	5750		
630	530	380	265	185	4100	6600	9700	
710	610	460	305	225	4700	7600	11200	15250
800	700	550	350	270	5400	8800	12800	17500
900	800	650	400	320			14700	20000
1000	900	750	450	370			16500	22500