

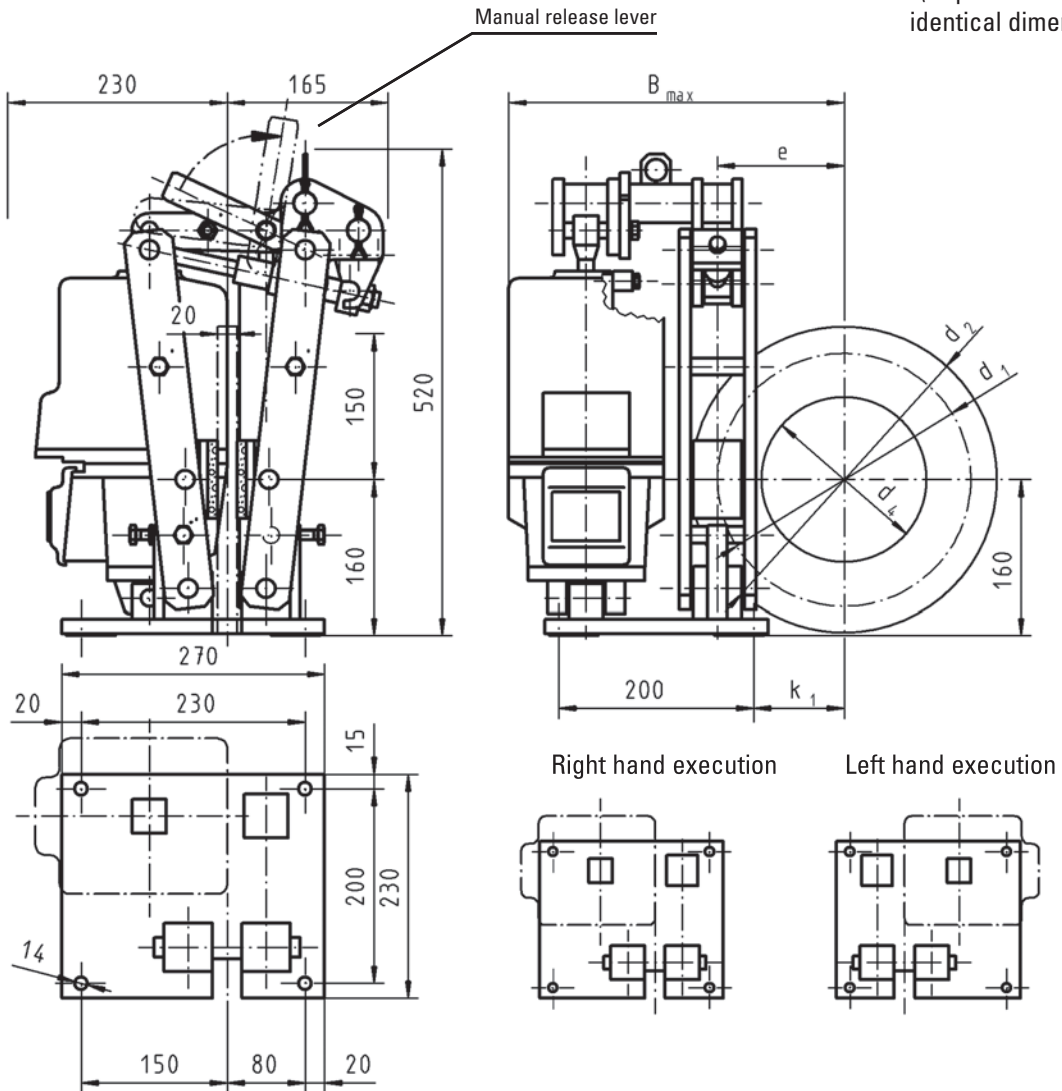
Disc Brake SB 8.11

Dimensions and technical data



Rev. 05-08

(Replaces **SB 14.11**, identical dimensions)



*) Average friction factor of standard material combination

For crane brake lay-out use safety factors documented in the FEM 1.001, Section 1

All dimensions in mm
Alterations reserved without notice

Weight: 37 kg w/o thruster		Thruster type				EB 120/40	EB 220/50	EB 300/50	Ed 23/5	Ed 30/5		
		Contact force in N				1550	2500	3400	2500	3400		
Disc Ø	Friction Ø	d ₂	d ₁	d ₄	e	k ₁	B _{max}	Brake torque M _{Br} in Nm		Friction factor μ = 0,4*		
		250	195	105	98	51	311	120	200	270	200	270
		280	225	135	113	76	326	140	230	310	230	310
		315	260	170	130	93	343	160	260	355	260	355
		355	300	210	150	113	363	185	300	410	300	410
		400	345	255	173	136	386	215	345	470	345	470
		450	395	305	197	160	411	245	395	540	395	540
		500	445	355	222	185	436	275	445	610	445	610