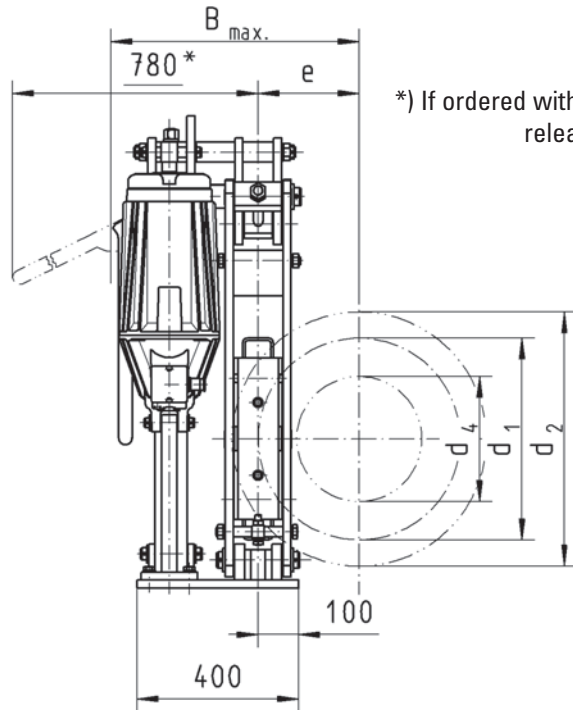
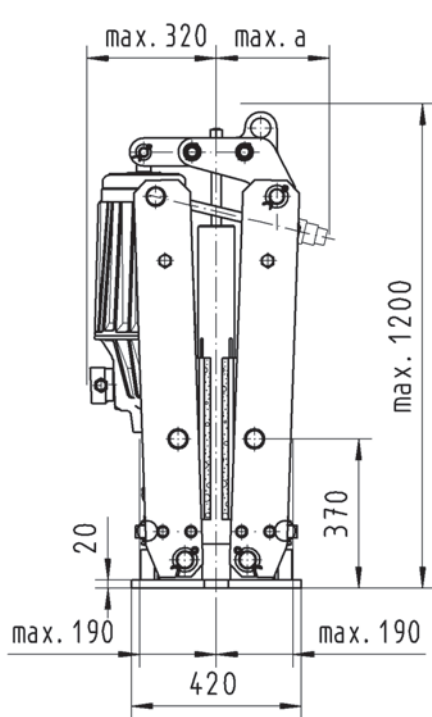


Disc Brake SB 8.3

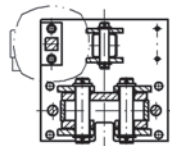
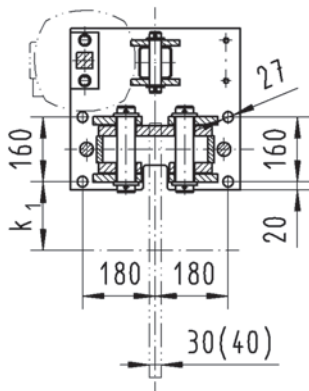
Dimensions and technical data



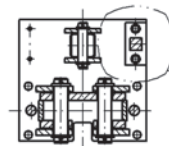
Rev. 12-06



Dimension a: With automatic wear compensator max. 280 mm
without automatic wear compensator max. 220 mm



Right hand execution



Left hand execution

*) Average friction factor of standard material combination

For crane brake lay-out use safety factors documented in the FEM 1.001, Section 1

All dimensions in mm
Alterations reserved without notice

Weight: 285 kg w/o thruster		Thruster type				EB 2000/60 EB 2000/120	EB 3000/60 EB 3000/120
		Contact force in N				37400	50200
Disc Ø	Friction Ø					Brake torque M _{Br} in Nm	Friction factor μ = 0,4*
d ₂	d ₁	d ₄	e	k ₁	Bmax		
630	500	310	250	170	615	7500	10000
710	580	390	290	210	655	8600	11600
800	670	480	335	255	700	10000	13500
900	770	580	385	305	750	11500	15500
1000	870	680	435	355	800	13000	17500
1250	1120	930	560	480	925	16750	22500