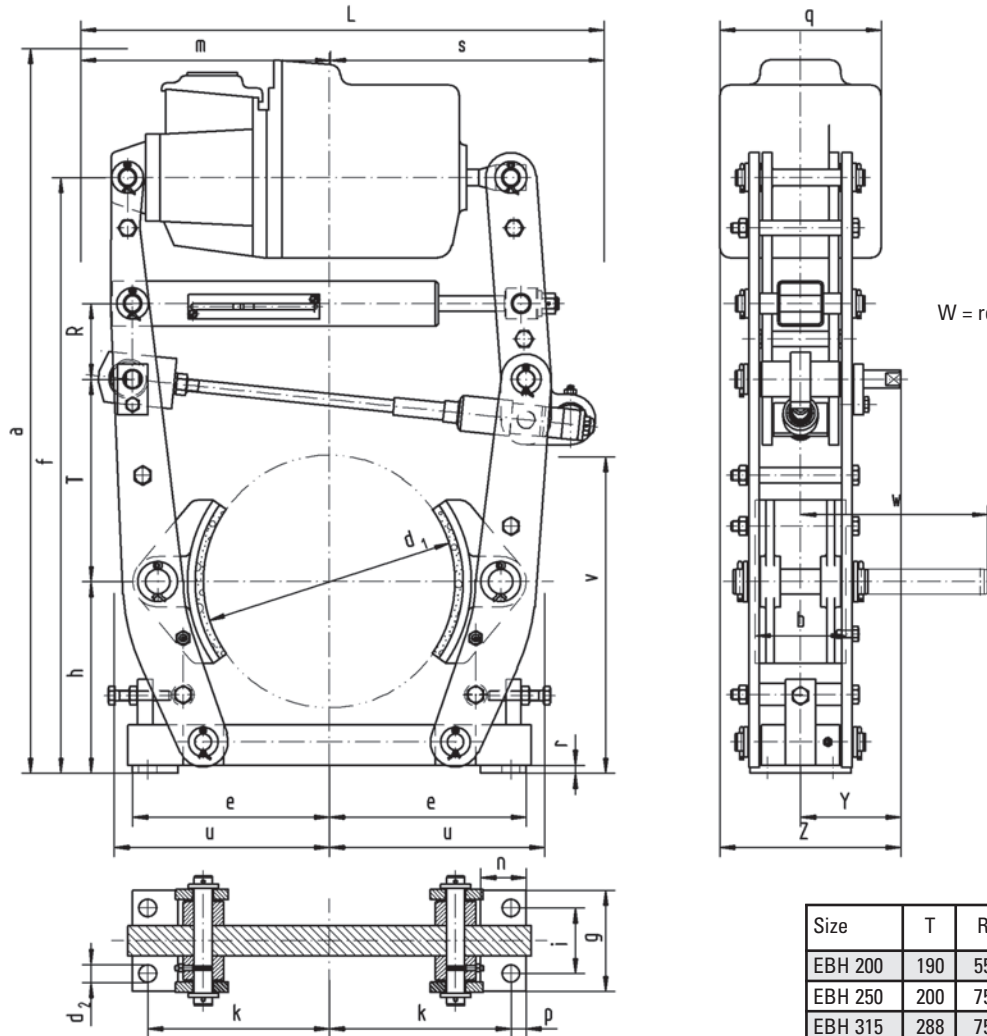


Drum Brake Type EBH

Dimensions (DIN 15435) and technical data



Rev. 12-06



W = required space for removing brake shoe pin

Size	T	R	Y	Z	Weight (kg)
EBH 200	190	55	95	190	17
EBH 250	200	75	105	210	23
EBH 315	288	75	125	250	36
EBH 400	305	100	140	280	70
EBH 500	370	116	170	340	130
EBH 630	upon request				
EBH 710	upon request				

*) Average friction factor of standard material combination

All dimensions in mm
Alterations reserved without notice

Brake type	Thruster type	$M_{BR\ max}$ (Nm) $\mu=0,4^*$	a	b	c	d ₁	d ₂	e	f	g	h	i	k	L	m	n	p	q	r	s	u	w
EBH 200-23/5	Ed 23/5	200	640	70	110	200	14	165	520	90	160	55	145	400	190	45	15	160	8	210	180	115
EBH 200-30/5	Ed 30/5	280												485	220					265		
EBH 250-23/5	Ed 23/5	240	710	90	130	250	18	200	590	100	190	65	180	440	210	45	15	160	8	230	215	135
EBH 250-30/5	Ed 30/5	340												505	235					270		
EBH 250-50/6	Ed 50/6	510												600	260					340		
EBH 315-23/5	Ed 23/5	260	870	110	170	315	18	245	738	110	230	80	220	610	280	50	20	160	10	330	265	165
EBH 315-30/5	Ed 30/5	410												670	290					380		
EBH 315-50/6	Ed 50/6	600	910	140	200	400	22	305	845	140	280	100	270	690	300	135	25	195	10	390	320	195
EBH 315-80/6	Ed 80/6	1120												670	290					380		
EBH 400-50/6	Ed 50/6	700	1010	140	200	400	22	305	845	140	280	100	270	690	300	135	25	195	10	390	320	195
EBH 400-80/6	Ed 80/6	1410												670	290					380		
EBH 400-121/6	Ed 121/6	2000	1000	140	200	400	22	305	845	140	280	100	270	690	300	135	25	195	10	390	320	195
EBH 500-50/6	Ed 50/6	800												670	290					380		
EBH 500-80/6	Ed 80/6	1750	1120	180	250	500	22	360	954	170	340	130	325	740	320	150	30	195	12	420	400	245
EBH 500-121/6	Ed 121/6	2200												670	290					380		
EBH 500-201/6	Ed 201/6	4000	1110	180	250	500	22	360	954	170	340	130	325	900	410	150	30	240	12	490	400	245