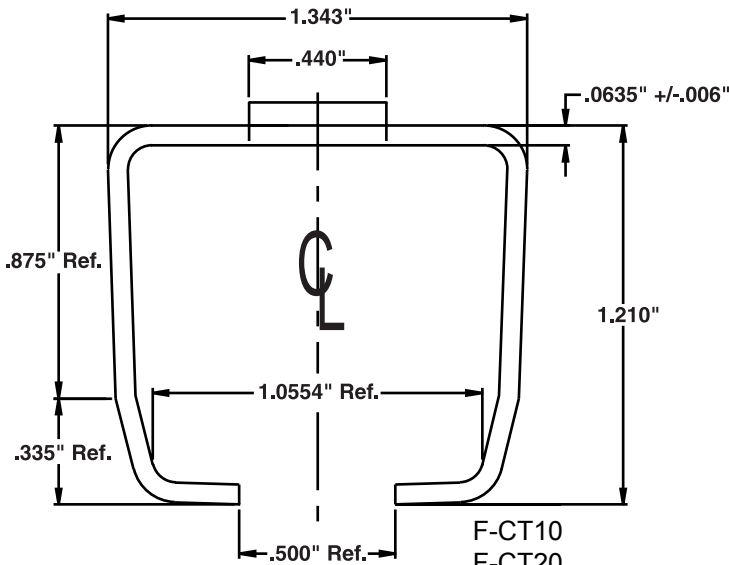


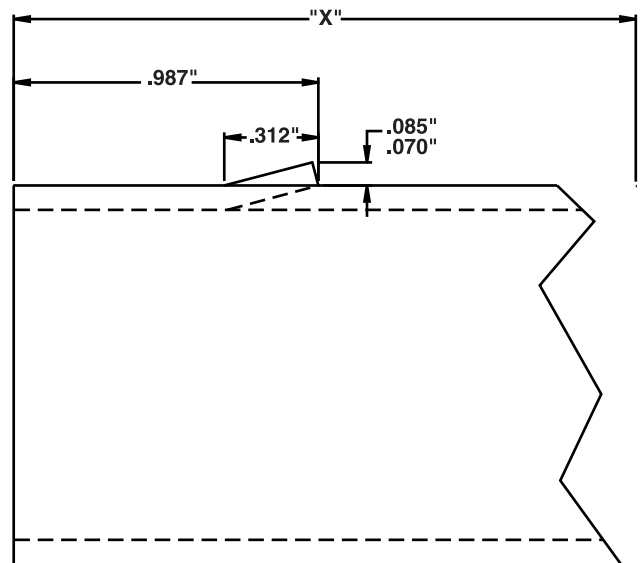


### Track Sections and Cross Arm Brackets

#### Standard Duty

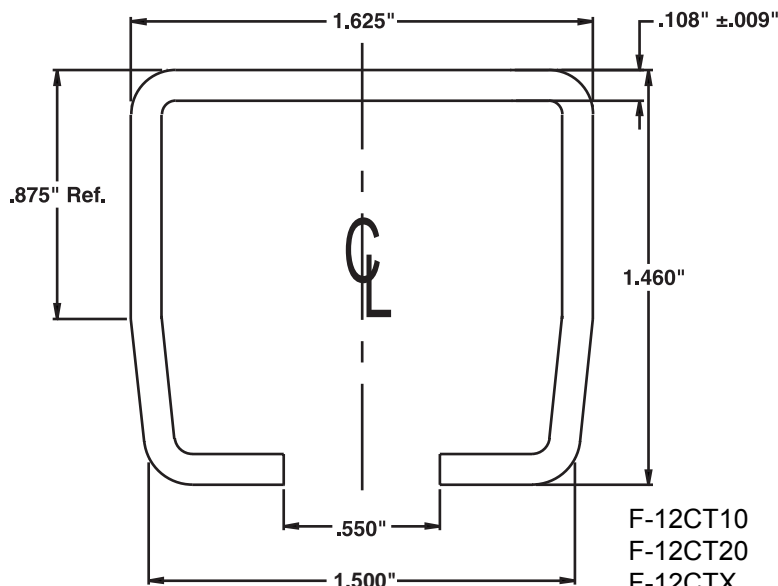


F-CT10  
F-CT20  
F-CTX  
F-CT10-SS

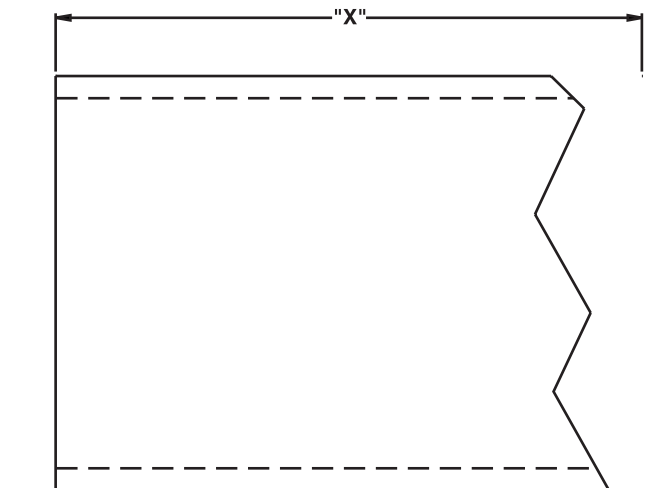


Standard Duty C-Track x 10'-0" (+/- 0.125")  
Standard Duty C-Track x 20'-0" (+/- 0.125")  
Standard Duty C-Track x "X" Length  
Standard Duty Stainless Steel  
Steel C-Track x 10'-0" (+/- 0.125)  
1.0 Lbs./Ft.

#### Heavy Duty



F-12CT10  
F-12CT20  
F-12CTX



Heavy Duty C-Track x 10'-0" (+/- 0.125")  
Heavy Duty C-Track x 20'-0" (+/- 0.125")  
Heavy Duty C-Track x "X" Length  
1.5 lbs./ft.

Data subject to change without notice.





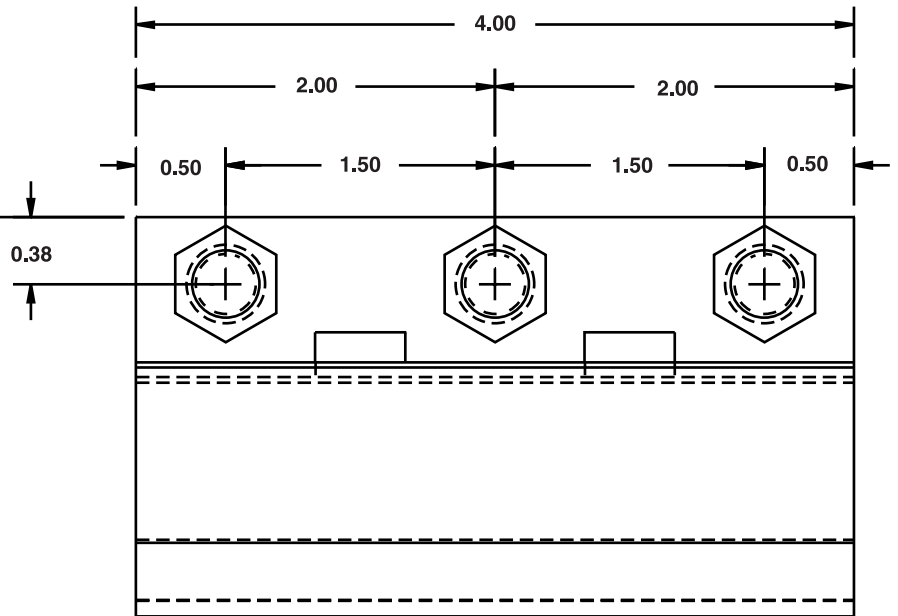
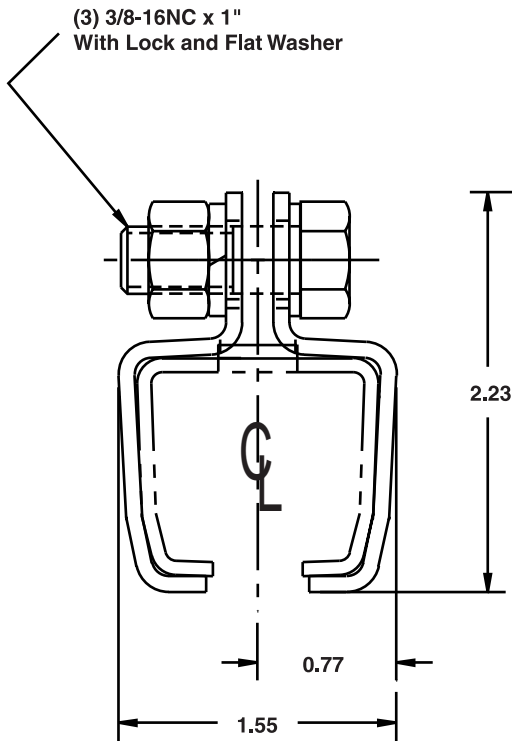
**MAGNETEK**  
UNCOMMON POWER

# Electromotive Systems

*C-Track Festoon Systems*

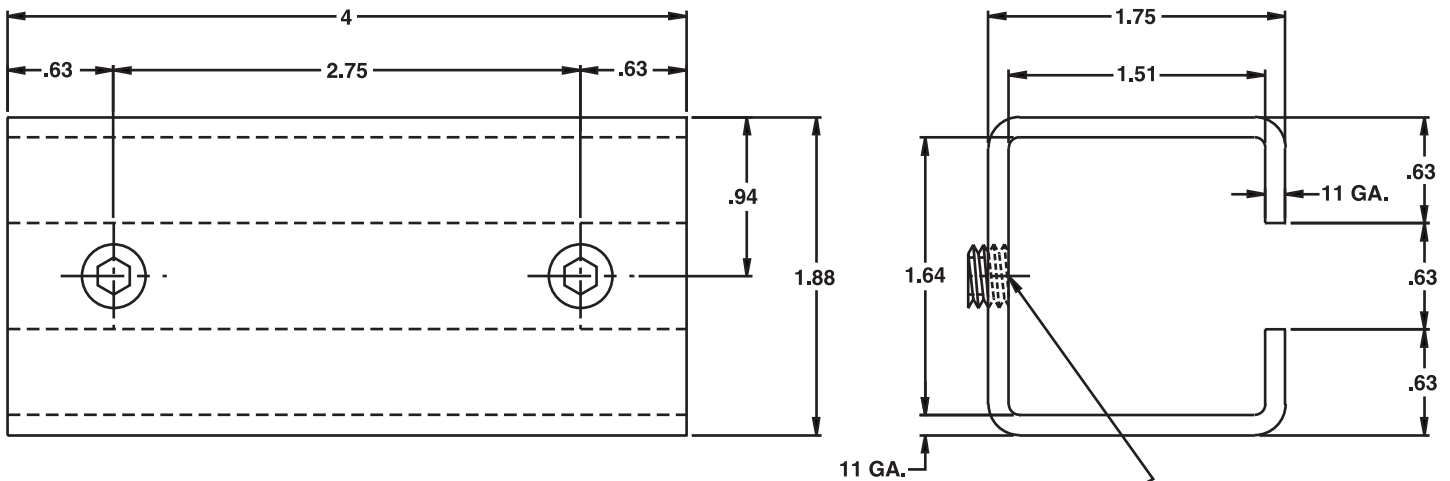
*Technical Bulletin FS-CT2*

## Standard Duty Joint Assembly



F-CTJ Standard Duty Joint Assembly  
F-CTJ-SS Standard Duty Stainless Steel Joint Assembly  
1.0 lbs./ea.

## Heavy Duty Joint Assembly



F-12CTJ Heavy Duty Joint Assembly—1.0 lbs./ea.  
Data subject to change without notice.



**MAGNETEK**  
UNCOMMON POWER

[www.electromotive.com](http://www.electromotive.com)

## Electromotive Systems

PO Box 13615  
Milwaukee, WI 53213  
Phone: 800-288-8178  
Fax: 800-298-3503

N49 W13650 Campbell Drive  
Menomonee Falls, WI 53051



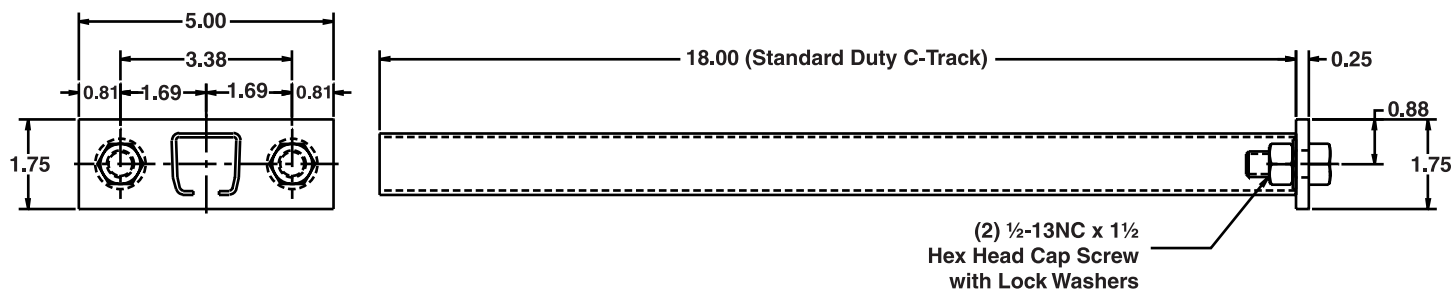
**MAGNETEK**  
UNCOMMON POWER

# Electromotive Systems

*C-Track Festoon Systems*

*Technical Bulletin FS-CT2*

## Tow Arm



F-CTA Standard and Heavy Duty Tow Arm

F-CTA-SS Standard Duty Stainless Steel Tow Arm

3.5 lbs./ea.



**MAGNETEK**  
UNCOMMON POWER

[www.electromotive.com](http://www.electromotive.com)

## Electromotive Systems

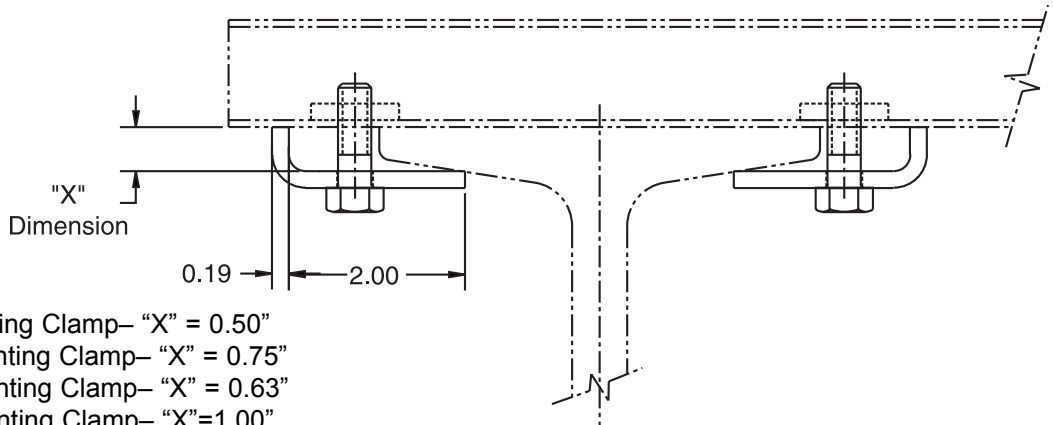
PO Box 13615  
Milwaukee, WI 53213  
Phone: 800-288-8178  
Fax: 800-298-3503

N49 W13650 Campbell Drive  
Menomonee Falls, WI 53051

9/1/03

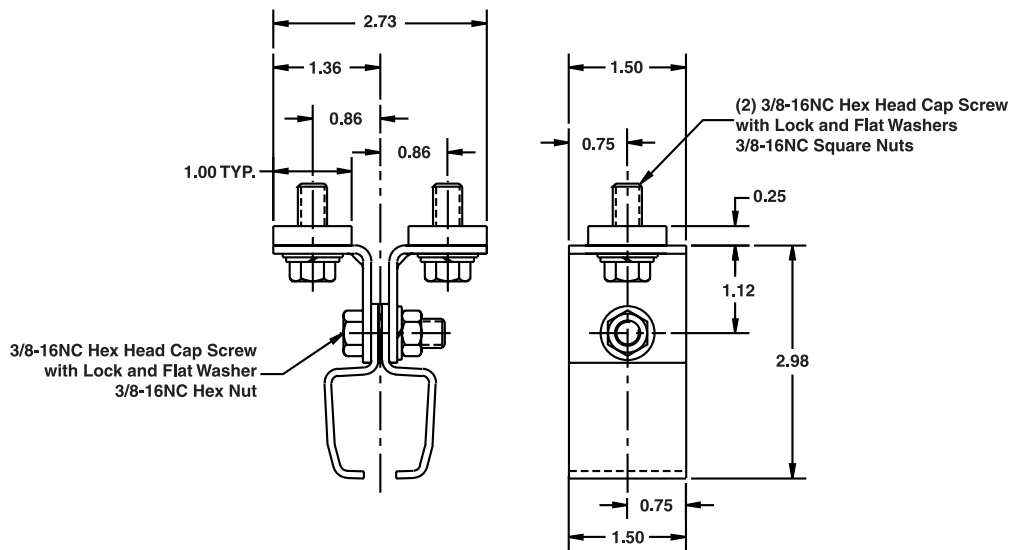


**Cross Arm Mounting Bracket**



- F-CTC Cross Arm Mounting Clamp— "X" = 0.50"
  - F-CTC-A Cross Arm Mounting Clamp— "X" = 0.75"
  - F-CTC-B Cross Arm Mounting Clamp— "X" = 0.63"
  - F-CTC-C Cross Arm Mounting Clamp— "X"=1.00"
- 0.25 lbs./ea.

**Hanger Assembly—Standard Profile**



F-CTHB Standard Duty Standard Profile Assembly—0.4 lbs./ea.  
Data subject to change without notice.



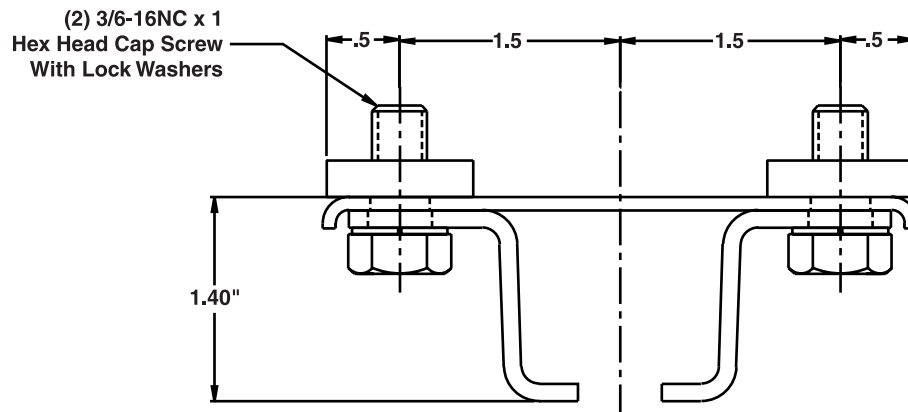
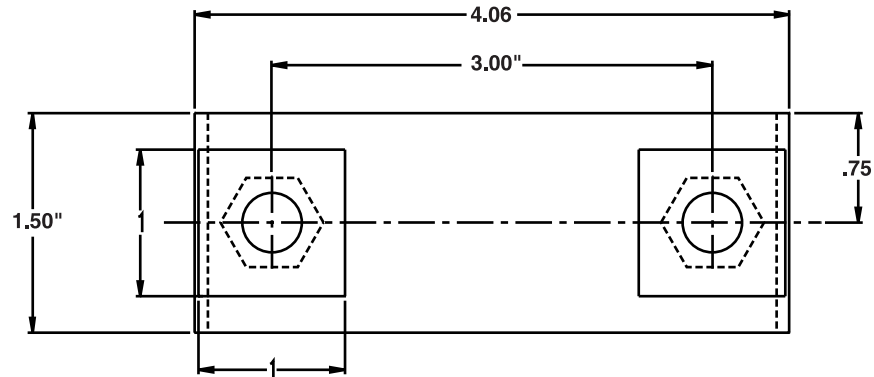
**MAGNETEK**  
UNCOMMON POWER

# Electromotive Systems

*C-Track Festoon Systems*

*Technical Bulletin FS-CT4*

## Standard Duty Hanger Assembly—Low Profile



F-CTH Standard Duty Low Profile Hanger Assembly  
F-CTH-SS Standard Duty Stainless Steel Low Profile Hanger  
0.6 lbs./ea.



**MAGNETEK**  
UNCOMMON POWER

[www.electromotive.com](http://www.electromotive.com)

### Electromotive Systems

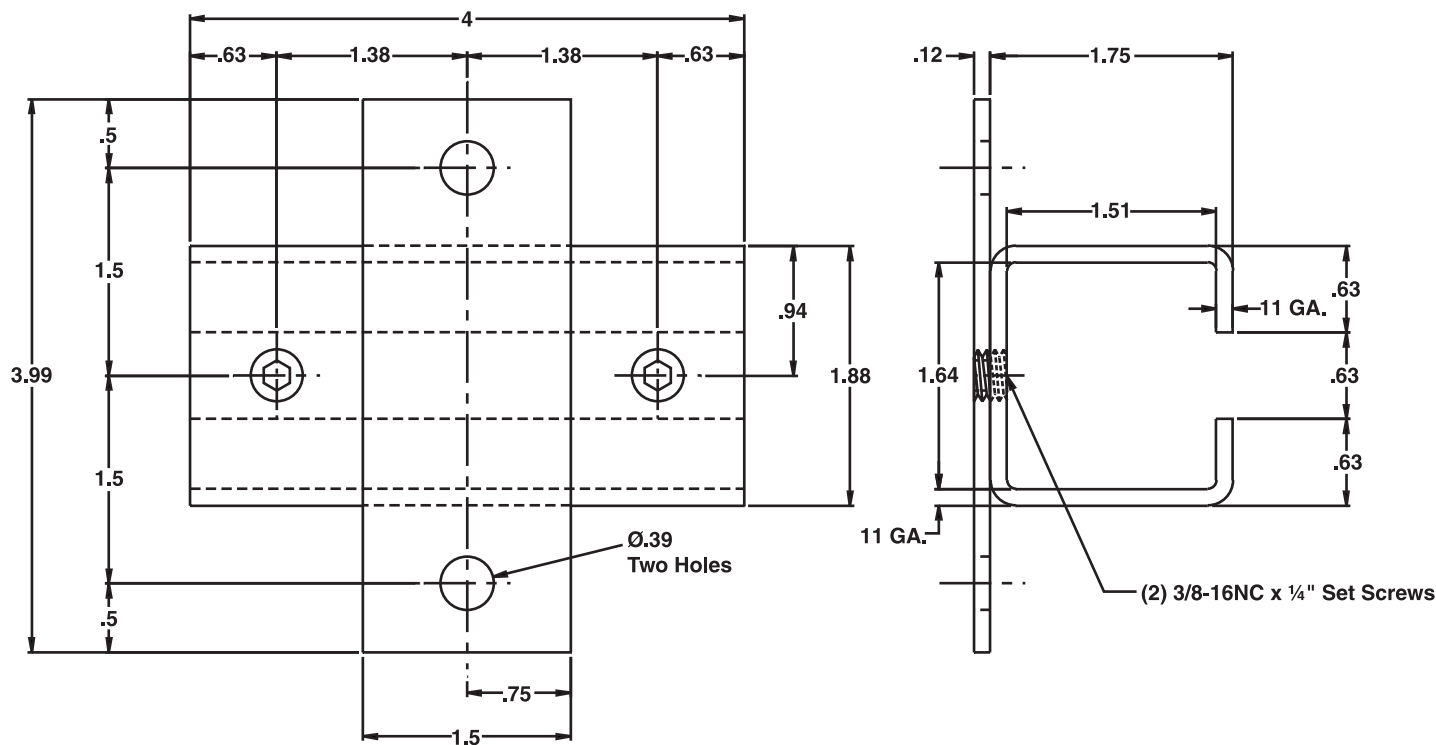
PO Box 13615  
Milwaukee, WI 53213  
Phone: 800-288-8178  
Fax: 800-298-3503

N49 W13650 Campbell Drive  
Menomonee Falls, WI 53051

9/1/03



## Heavy Duty Hanger Assembly—Low Profile



F-12CTH Heavy Duty Lower Profile Hanger—1.1 Lbs./ea.  
Data subject to change without notice.



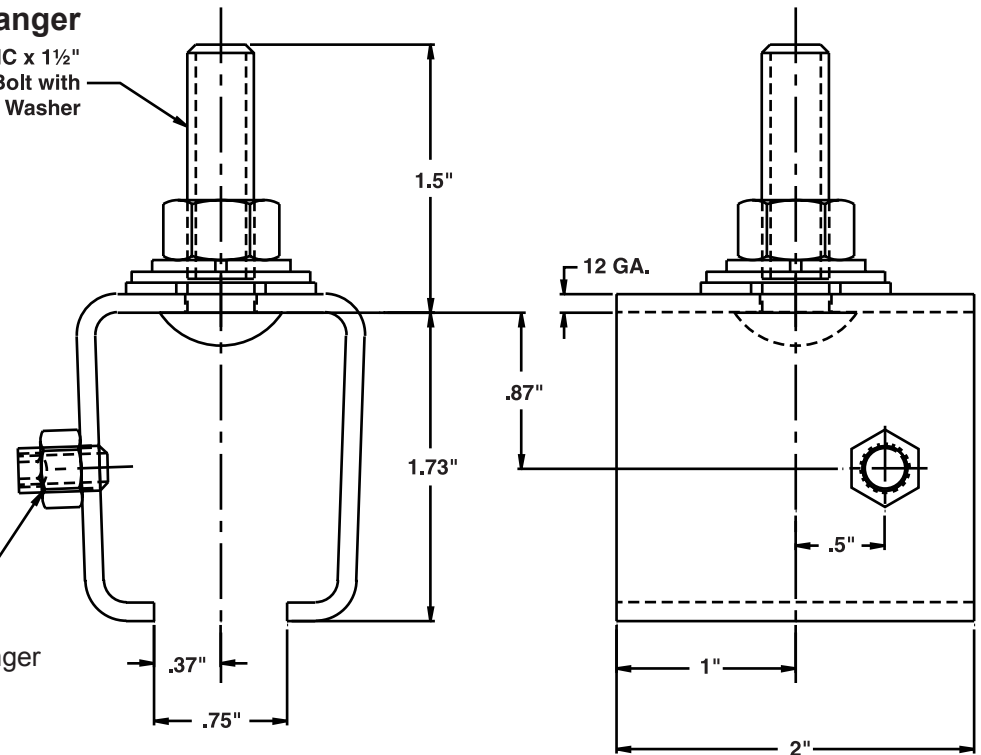


### Hanger Assembly—C-Hanger

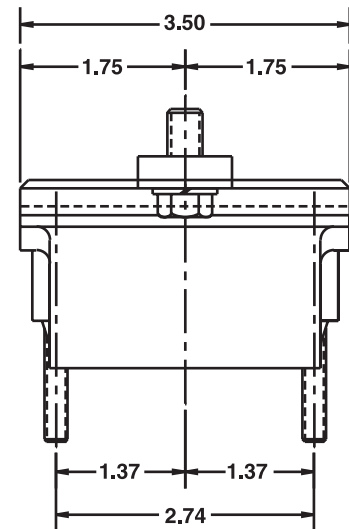
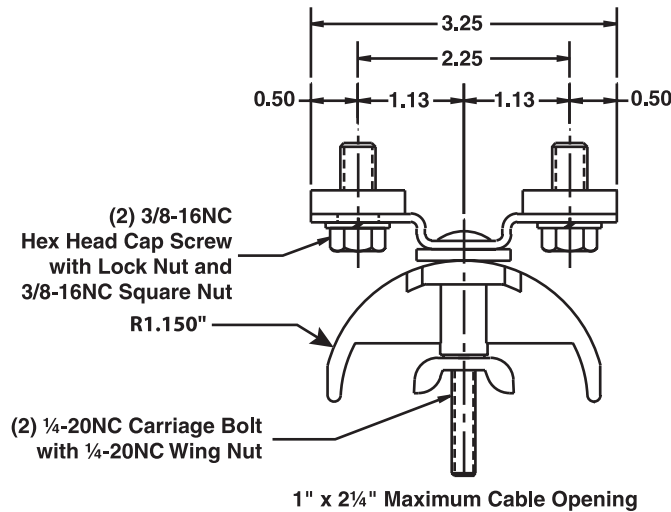
3/8-16NC x 1/2"  
Carriage Bolt with  
Lock and Flat Washer

1/4-20NC x 1/2"  
Set Screw with  
1/4-20NC Hex Nut

F-CTH-C Standard Duty C-Hanger  
Assembly—0.4 lbs./ea.



### End Cable Clamp



F-CTE Standard and Heavy Duty End Cable Clamp

F-CTE-SS Standard Duty Stainless Steel End Cable Clamp (All stainless steel hardware with plastic saddle)

0.75 lbs./ea.

Data subject to change without notice.





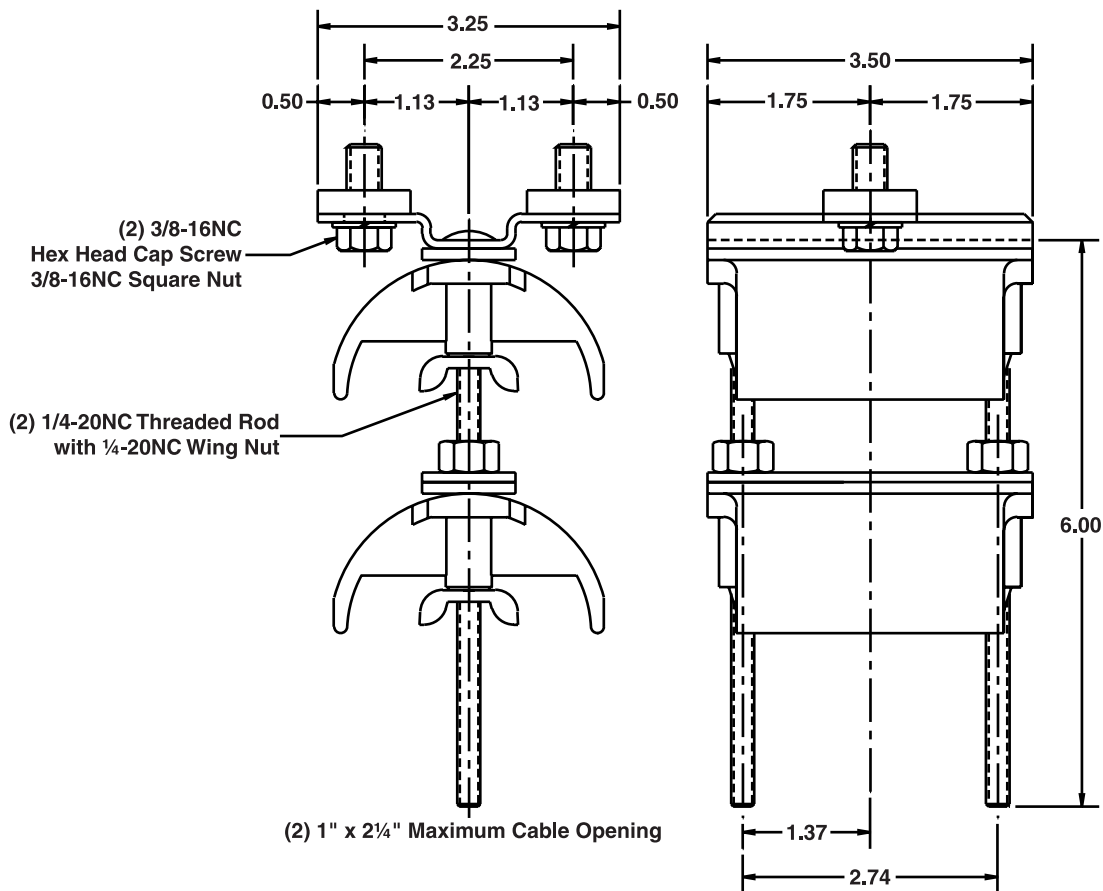
**MAGNETEK**  
UNCOMMON POWER

# Electromotive Systems

*C-Track Festoon Systems*

*Technical Bulletin FS-CT6*

## End Cable Clamp–Double Saddle Systems



F-CTE-2 Standard Duty Double Saddle End  
Cable Clamp–1.25 lbs./ea.



**MAGNETEK**  
UNCOMMON POWER

[www.electromotive.com](http://www.electromotive.com)

### Electromotive Systems

PO Box 13615  
Milwaukee, WI 53213  
Phone: 800-288-8178  
Fax: 800-298-3503

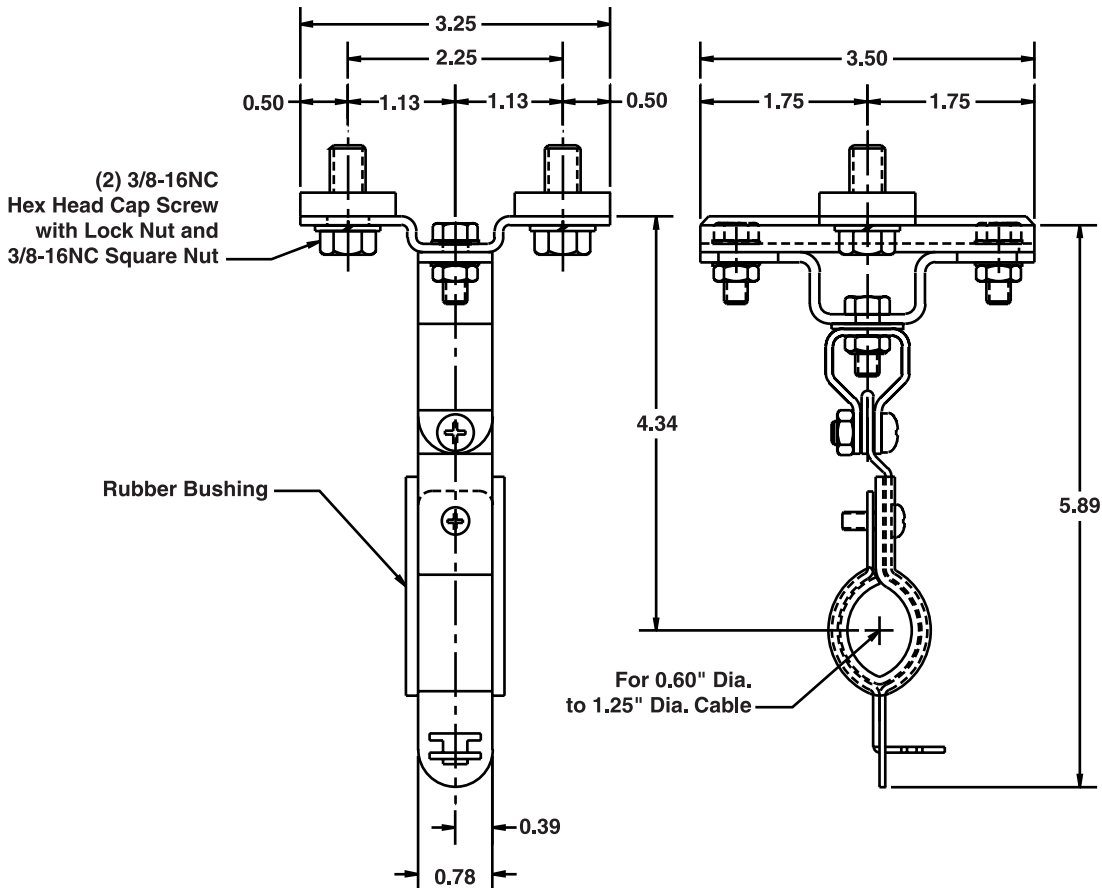
N49 W13650 Campbell Drive  
Menomonee Falls, WI 53051

9/1/03





## End Cable Clamp—Round Cable Systems

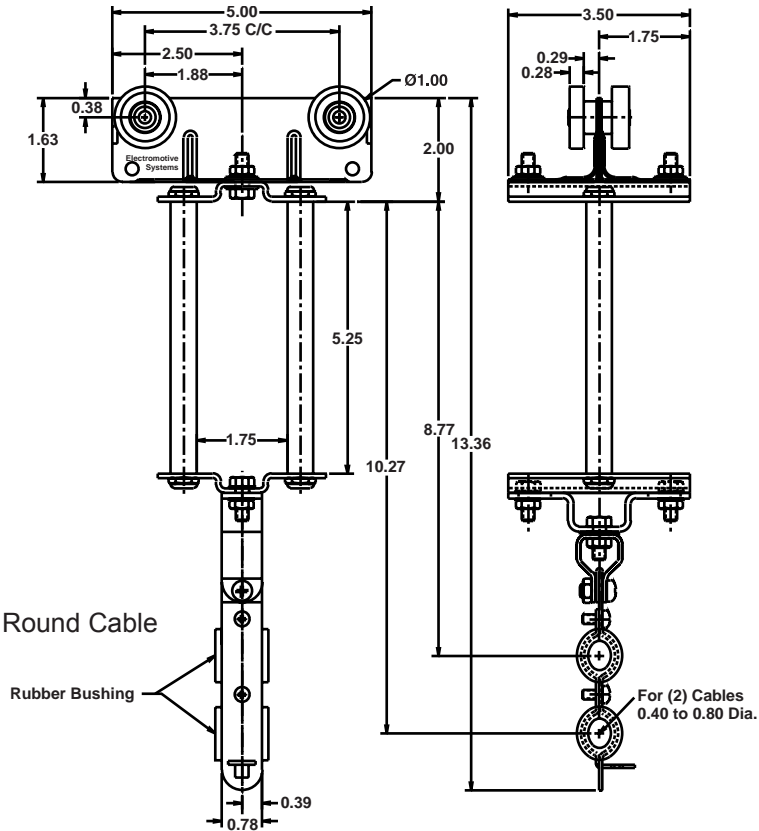


R-CTE Standard and Heavy Duty Round Cable End Clamp—0.75 lbs./ea.  
Data subject to change without notice.





## End Cable Clamp–Double Round Cable



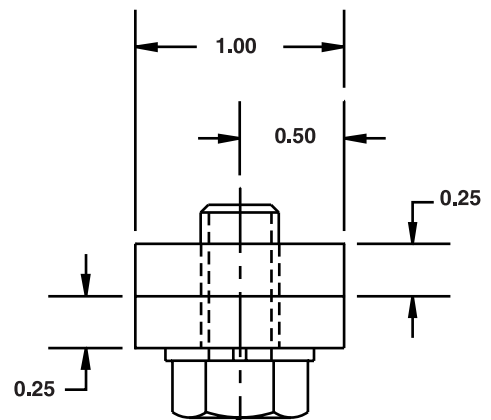
R-CTE-2 Standard Duty Double Round Cable  
End Clamp—1.25 lbs./ea.

Rubber Bushing

For (2) Cables  
0.40 to 0.80 Dia.

## End Stop Assembly

F-CTS Standard and Heavy Duty End Stop Assembly  
F-CTS-SS Standard Duty Stainless Steel End Stop Assembly  
0.24 Lbs./Ea.



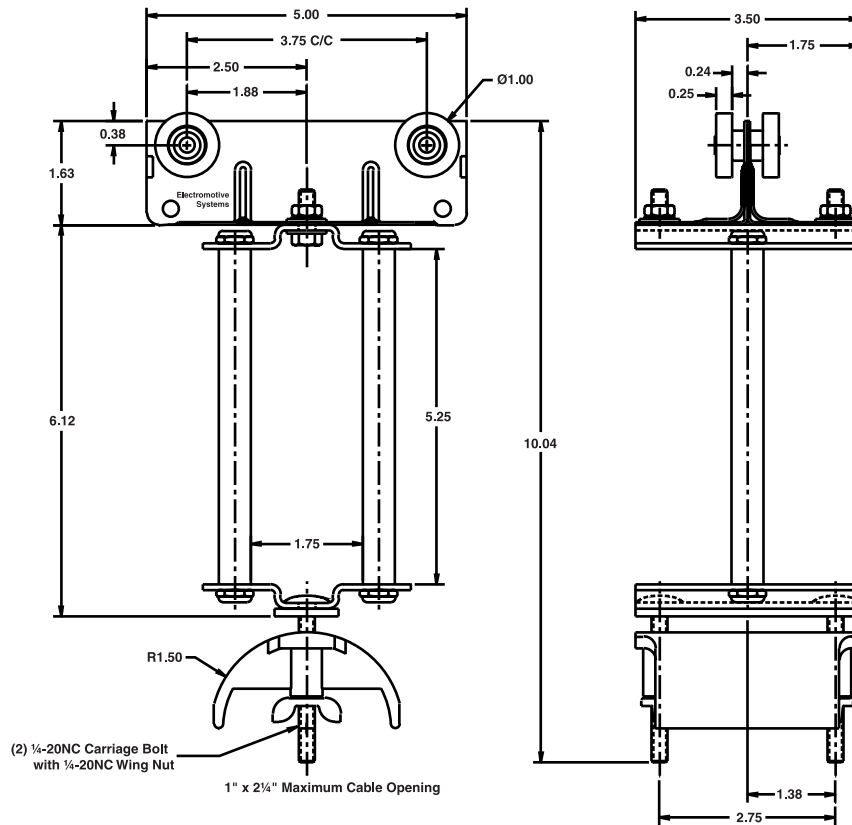
3/8-16NC x 3/4" Hex Head Cap Screw  
with Lock Washer and  
3/8-16NC Square Nut

All data subject to change without notice.





## Tow Trolley



F-CCT Standard Duty Tow Trolley

F-CCTX1 Standard Duty Corrosion Resistant Tow Trolley (Stainless Steel Frame and Wheels)

1.30 lbs./ea.

All data subject to change without notice.





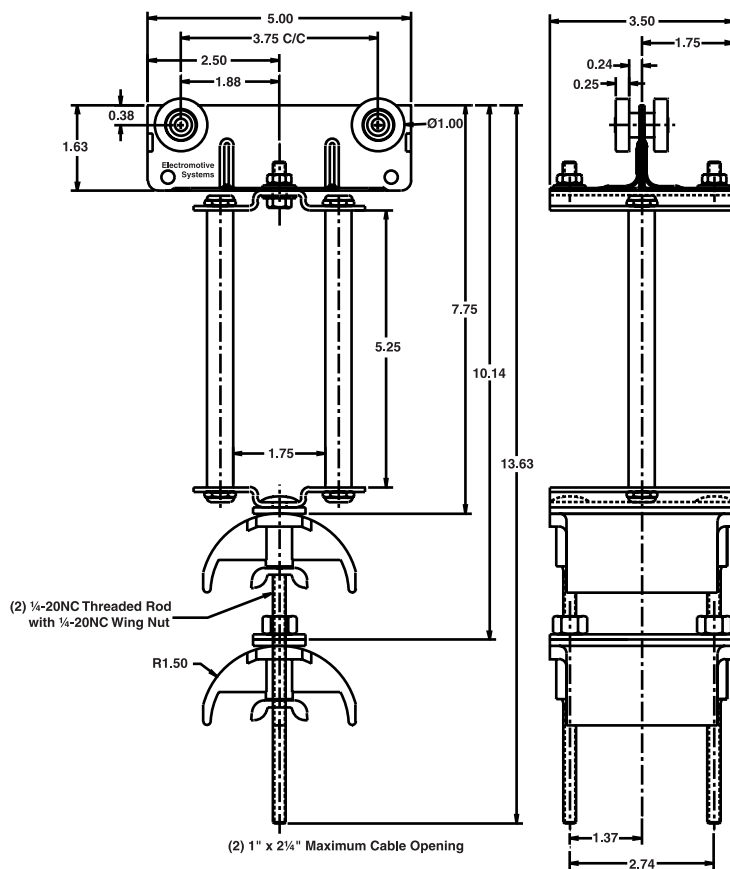
**MAGNETEK**  
UNCOMMON POWER

# Electromotive Systems

C-Track Festoon Systems

Technical Bulletin FS-CT9

## Standard Duty Double Saddle Tow Trolley



F-CCT-2 Standard Duty Double Saddle Tow Trolley—2.25 lbs./ea.

All data subject to change without notice.



**MAGNETEK**  
UNCOMMON POWER

[www.electromotive.com](http://www.electromotive.com)

### Electromotive Systems

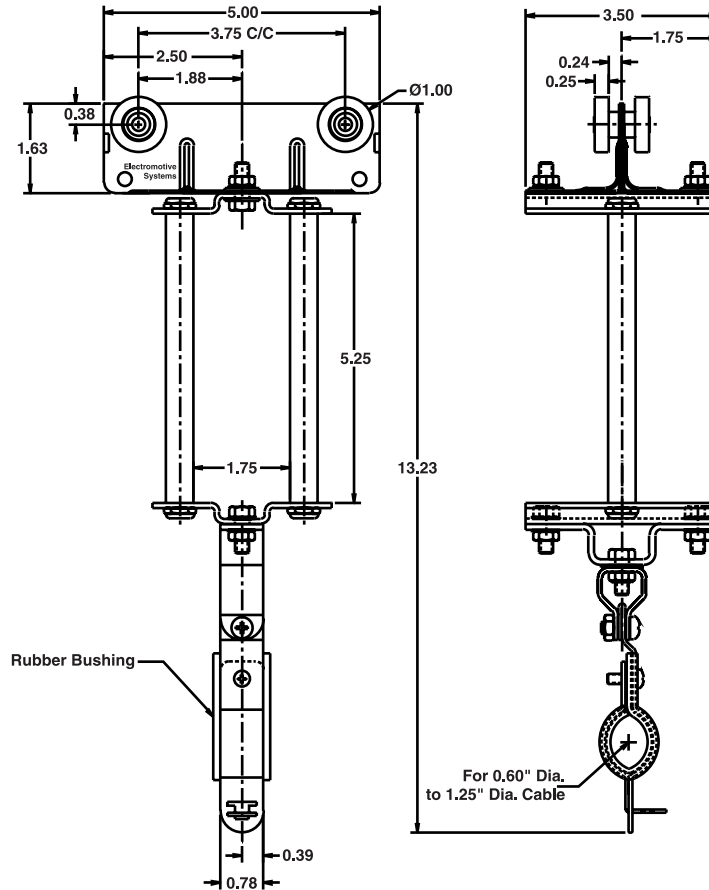
PO Box 13615  
Milwaukee, WI 53213  
Phone: 800-288-8178  
Fax: 800-298-3503

N49 W13650 Campbell Drive  
Menomonee Falls, WI 53051

9/1/03



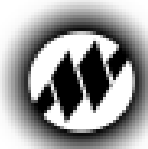
## Standard Duty Round Cable Tow Trolley



R-CCT Standard Duty Round Cable Tow Trolley—2.00 lbs./ea.  
All data subject to change without notice.







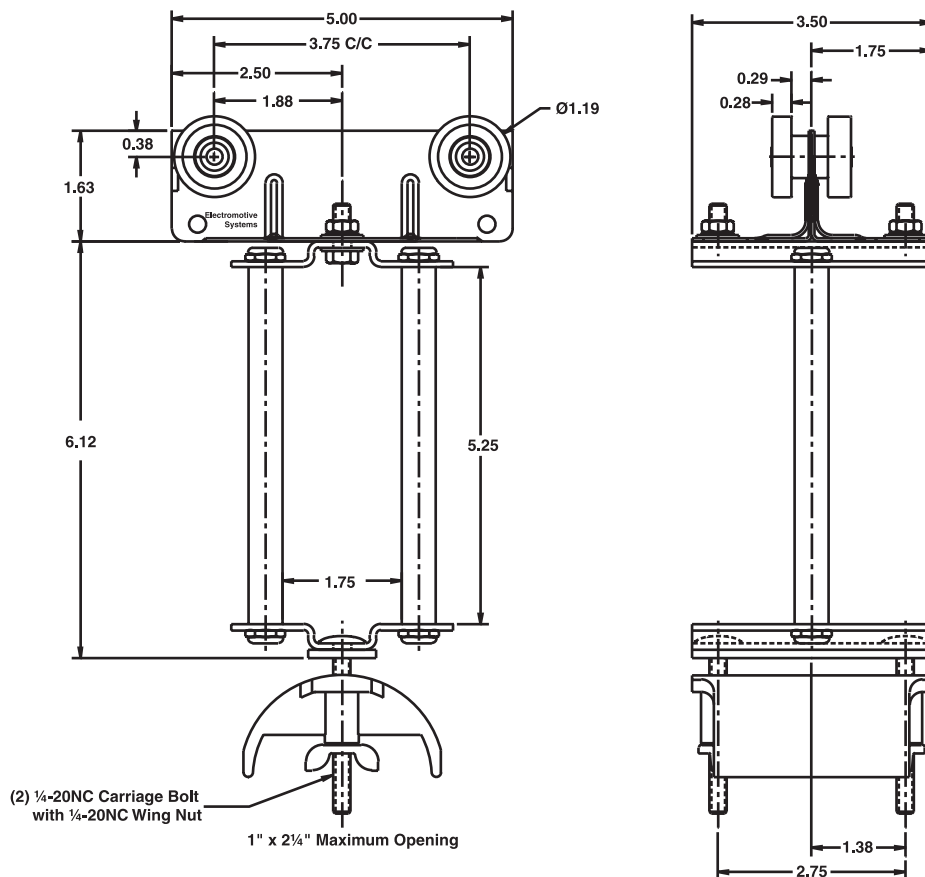
**MAGNETEK**  
UNCOMMON POWER

# Electromotive Systems

*C-Track Festoon Systems*

*Technical Bulletin FS-CT12*

## Heavy Duty Tow Trolley



F-12CCT Heavy Duty Tow Trolley—2.10 lbs./ea.  
Data subject to change without notice.



**MAGNETEK**  
UNCOMMON POWER

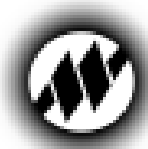
**Electromotive Systems**

PO Box 13615  
Milwaukee, WI 53213  
Phone: 800-288-8178  
Fax: 800-298-3503

N49 W13650 Campbell Drive  
Menomonee Falls, WI 53051

[www.electromotive.com](http://www.electromotive.com)

9/1/03



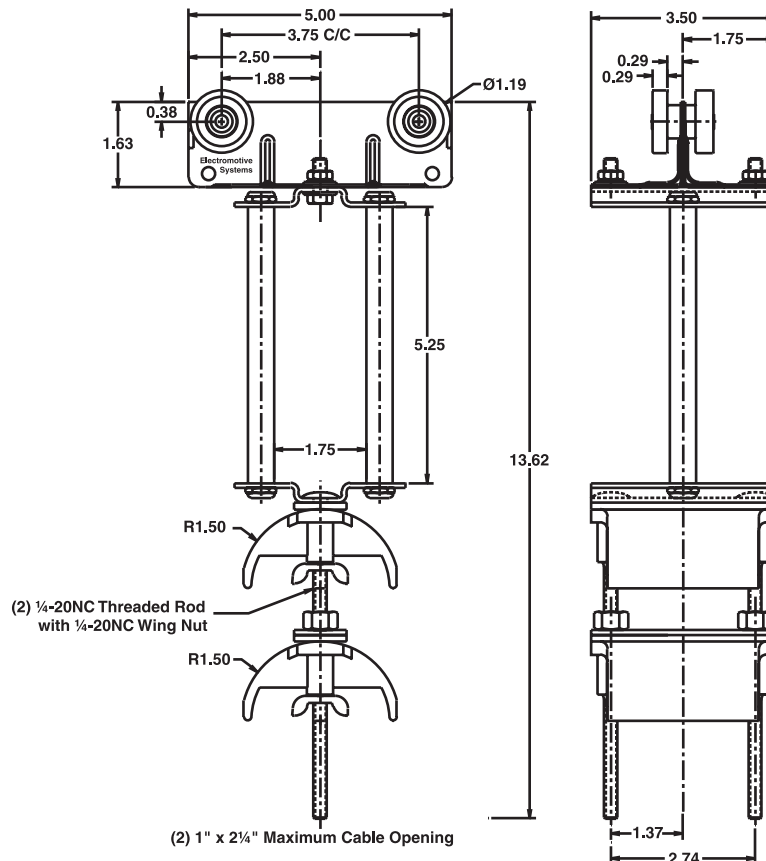
**MAGNETEK**  
UNCOMMON POWER

# Electromotive Systems

C-Track Festoon Systems

Technical Bulletin FS-CT13

## Heavy Duty Double Saddle Tow Trolley



R-12CCT-2 Heavy Duty Double Saddle Tow Trolley—2.90 lbs./ea.  
Data subject to change without notice.



**MAGNETEK**  
UNCOMMON POWER

[www.electromotive.com](http://www.electromotive.com)

### Electromotive Systems

PO Box 13615  
Milwaukee, WI 53213  
Phone: 800-288-8178  
Fax: 800-298-3503

N49 W13650 Campbell Drive  
Menomonee Falls, WI 53051

9/1/03





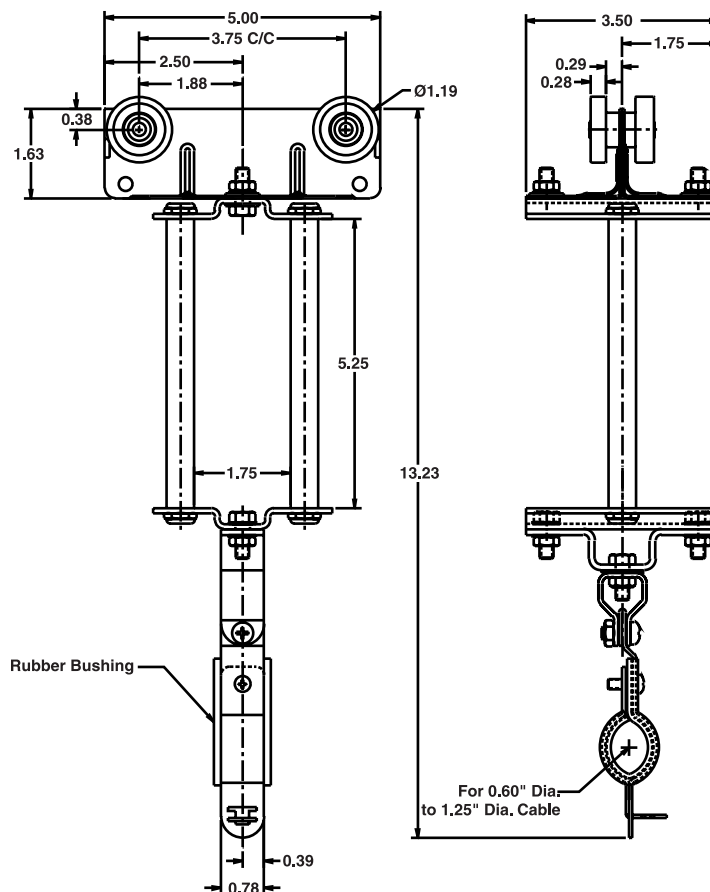
**MAGNETEK**  
UNCOMMON POWER

# Electromotive Systems

*C-Track Festoon Systems*

*Technical Bulletin FS-CT14*

## Heavy Duty Round Cable Tow Trolley



R-12CCT Heavy Duty Round Cable Tow Trolley—2.65 lbs./ea.

Data subject to change without notice.



**MAGNETEK**  
UNCOMMON POWER

**Electromotive Systems**

PO Box 13615  
Milwaukee, WI 53213  
Phone: 800-288-8178  
Fax: 800-298-3503

N49 W13650 Campbell Drive  
Menomonee Falls, WI 53051

[www.electromotive.com](http://www.electromotive.com)

9/1/03



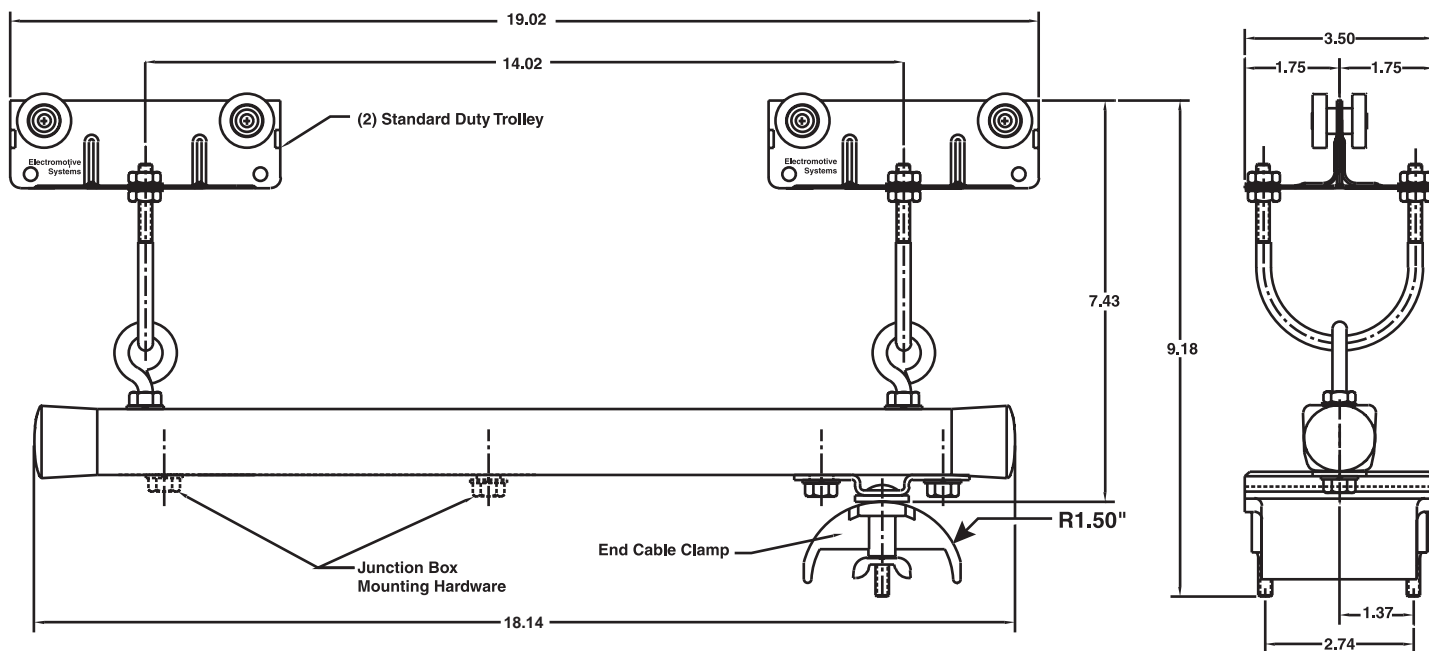
**MAGNETEK**  
UNCOMMON POWER

# Electromotive Systems

*C-Track Festoon Systems*

*Technical Bulletin FS-CT15*

## Standard Duty Control Box Trolley



F-CCB Standard Duty Control Box Trolley

F-CCBX1 Standard Duty Corrosion Resistant Control Box Trolley (Stainless Steel Frame and Wheels)

5.00 lbs./ea.

Data subject to change without notice.



**MAGNETEK**  
UNCOMMON POWER

[www.electromotive.com](http://www.electromotive.com)

### Electromotive Systems

PO Box 13615  
Milwaukee, WI 53213  
Phone: 800-288-8178  
Fax: 800-298-3503

N49 W13650 Campbell Drive  
Menomonee Falls, WI 53051

9/1/03



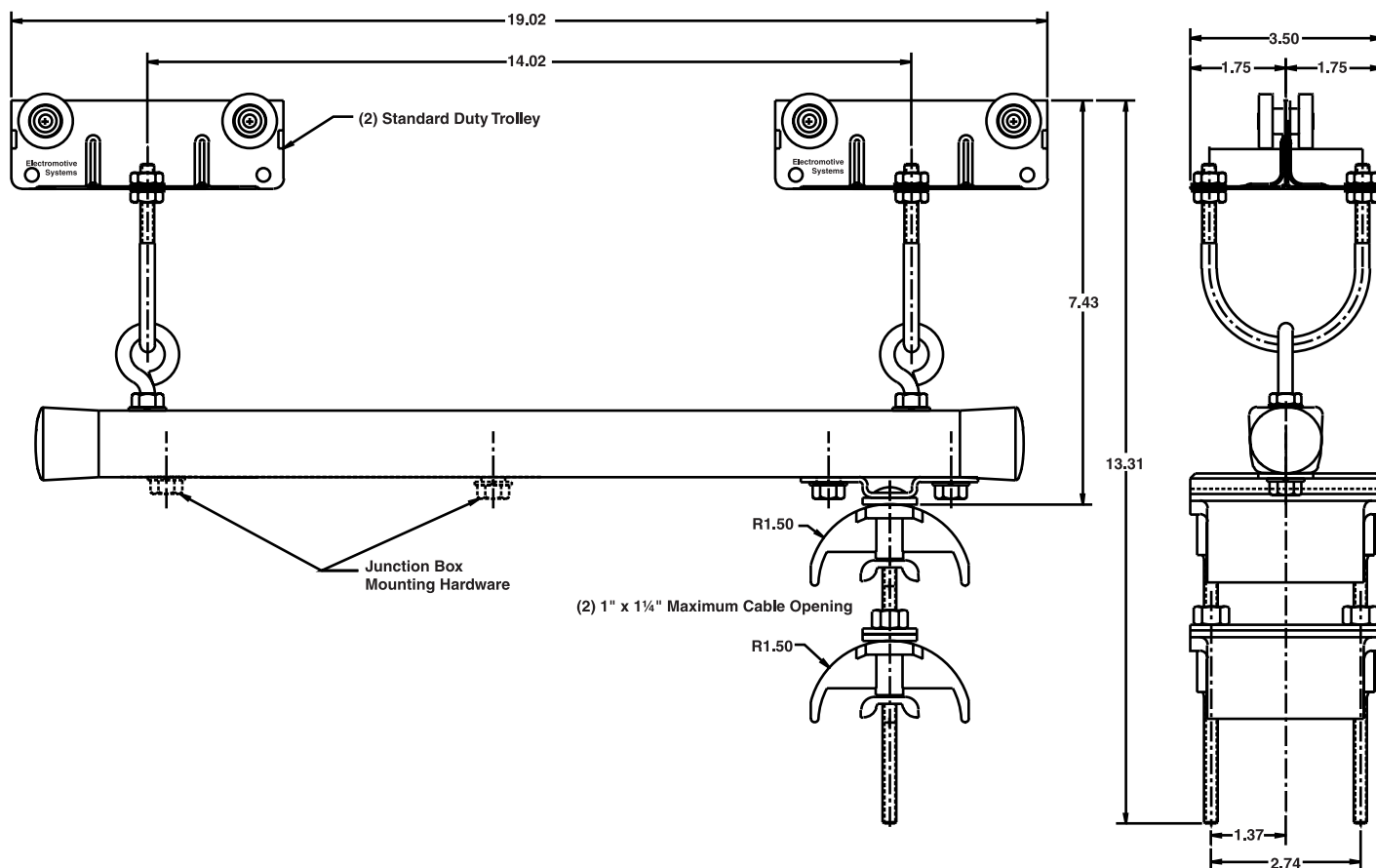
**MAGNETEK**  
UNCOMMON POWER

# Electromotive Systems

*C-Track Festoon Systems*

*Technical Bulletin FS-CT15*

## Standard Duty Double Saddle Control Box Trolley



F-CCB-2 Standard Duty Double Saddle Control Box—5.30 lbs./ea.

Data subject to change without notice.



**MAGNETEK**  
UNCOMMON POWER

[www.electromotive.com](http://www.electromotive.com)

### Electromotive Systems

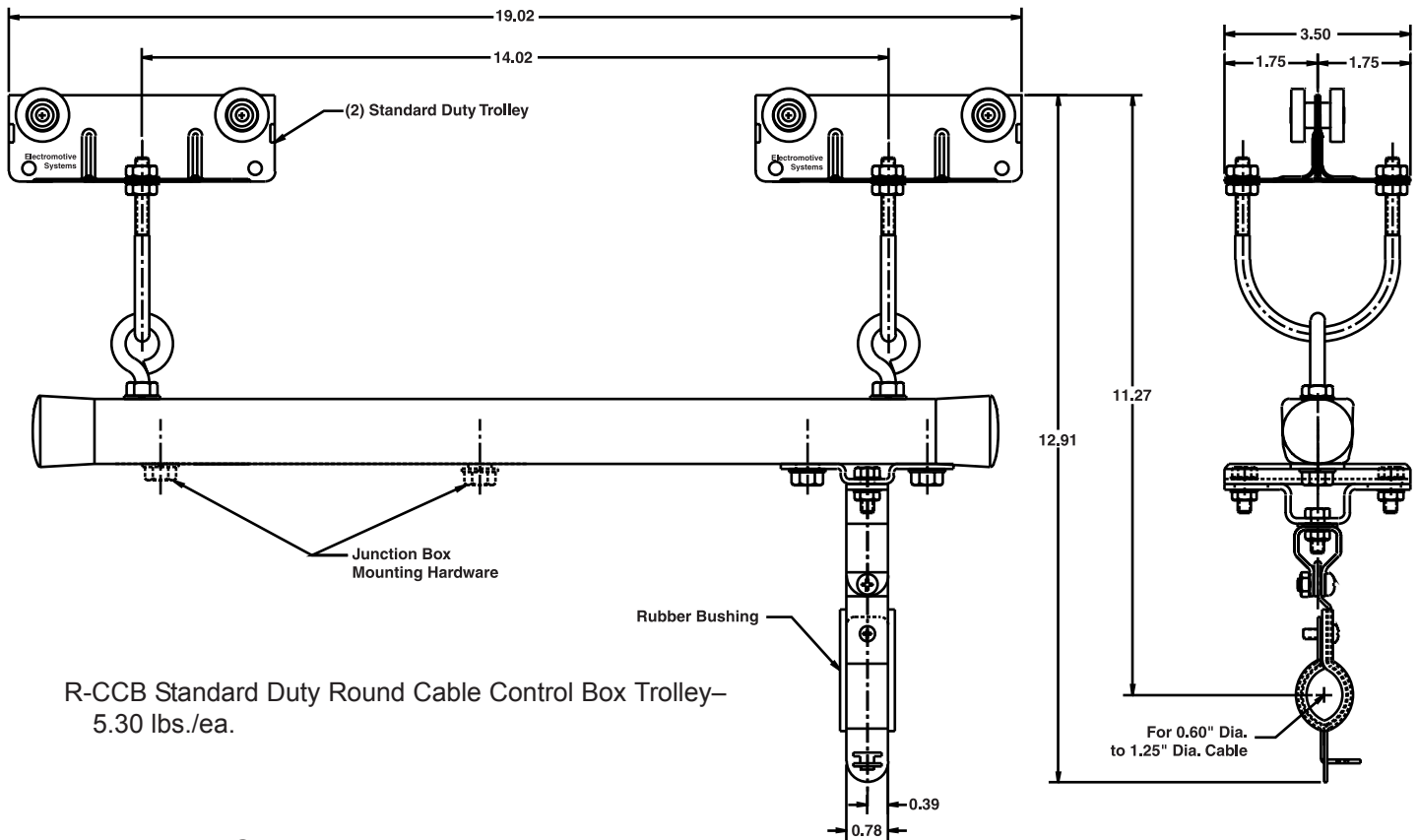
PO Box 13615  
Milwaukee, WI 53213  
Phone: 800-288-8178  
Fax: 800-298-3503

N49 W13650 Campbell Drive  
Menomonee Falls, WI 53051

9/1/03

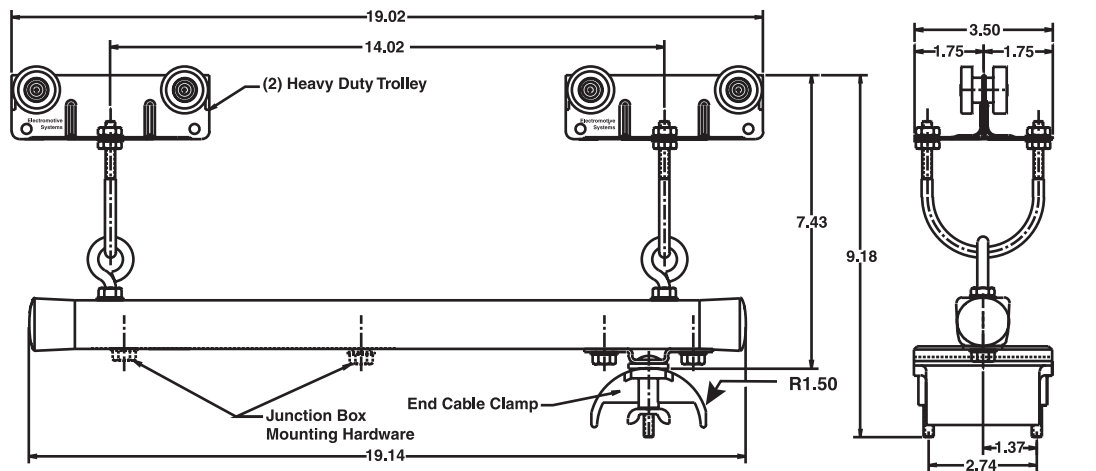


### Standard Duty Round Cable Control Box Trolley



R-CCB Standard Duty Round Cable Control Box Trolley—  
5.30 lbs./ea.

### Heavy Duty Control Box Trolley



F-12CCB Heavy Duty Control Box Trolley—6.00 lbs./ea.  
All data subject to change without notice.





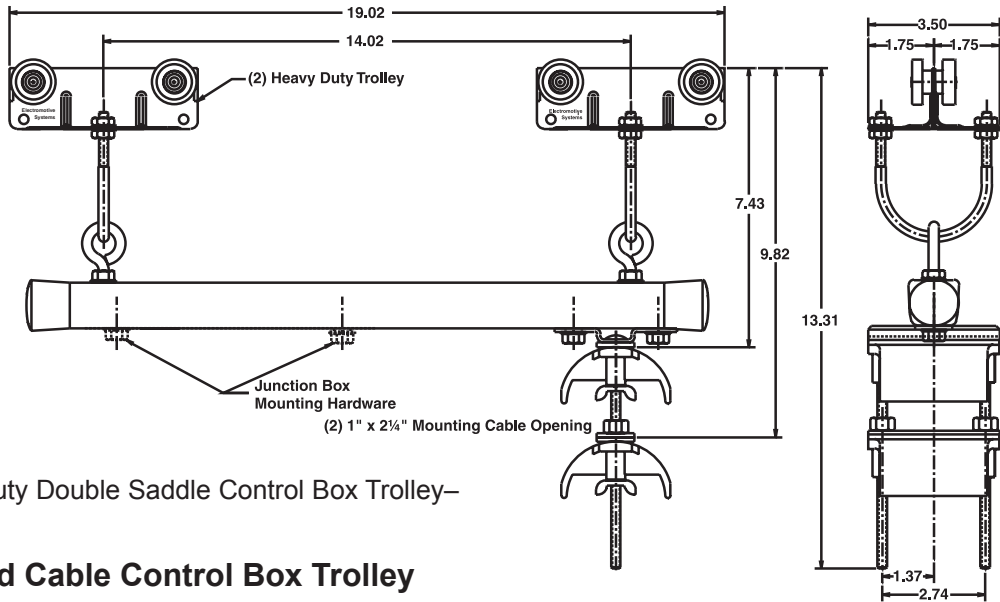
**MAGNETEK**  
UNCOMMON POWER

# Electromotive Systems

## C-Track Festoon Systems

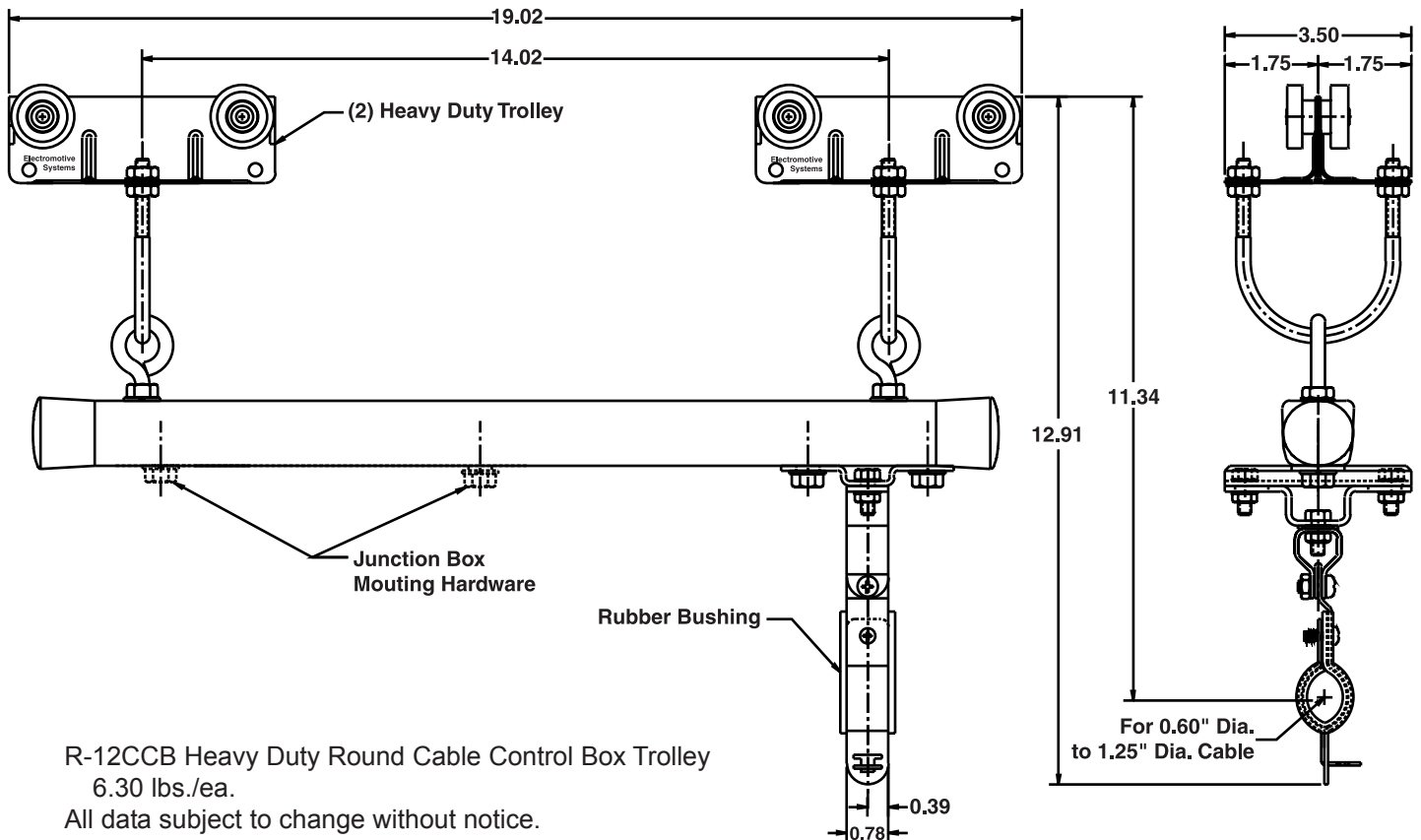
Technical Bulletin FS-CT17

### Heavy Duty Double Saddle Control Box Trolley



F-12CCB-2 Heavy Duty Double Saddle Control Box Trolley—  
6.30 lbs./ea.

### Heavy Duty Round Cable Control Box Trolley



R-12CCB Heavy Duty Round Cable Control Box Trolley  
6.30 lbs./ea.  
All data subject to change without notice.



**MAGNETEK**  
UNCOMMON POWER

[www.electromotive.com](http://www.electromotive.com)

### Electromotive Systems

PO Box 13615  
Milwaukee, WI 53213  
Phone: 800-288-8178  
Fax: 800-298-3503

N49 W13650 Campbell Drive  
Menomonee Falls, WI 53051

9/1/03



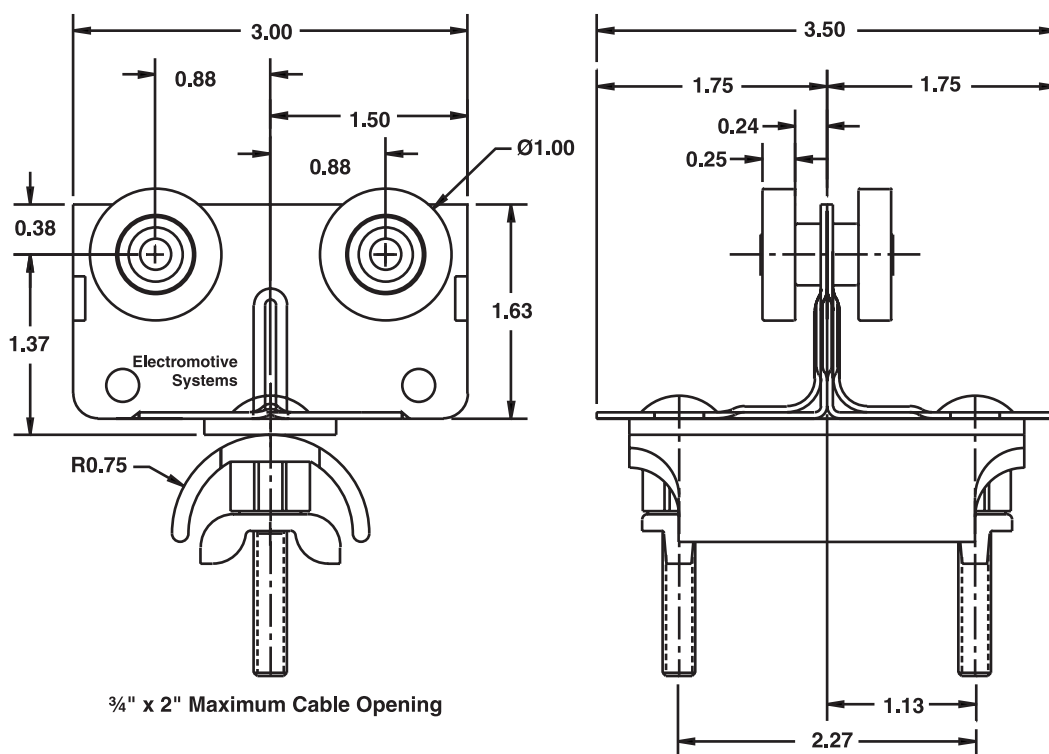
**MAGNETEK**  
UNCOMMON POWER

# Electromotive Systems

*C-Track Festoon Systems*

*Technical Bulletin FS-CT18*

## Standard Duty Trolleys



F-CC3 Standard Duty Trolley

F-CC3X1 Standard Duty Corrosion Resistant Trolley (Stainless Steel Frame and Wheels)

0.70 lbs./ea.

All data subject to change without notice.



**MAGNETEK**  
UNCOMMON POWER

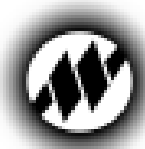
[www.electromotive.com](http://www.electromotive.com)

### Electromotive Systems

PO Box 13615  
Milwaukee, WI 53213  
Phone: 800-288-8178  
Fax: 800-298-3503

N49 W13650 Campbell Drive  
Menomonee Falls, WI 53051

9/1/03



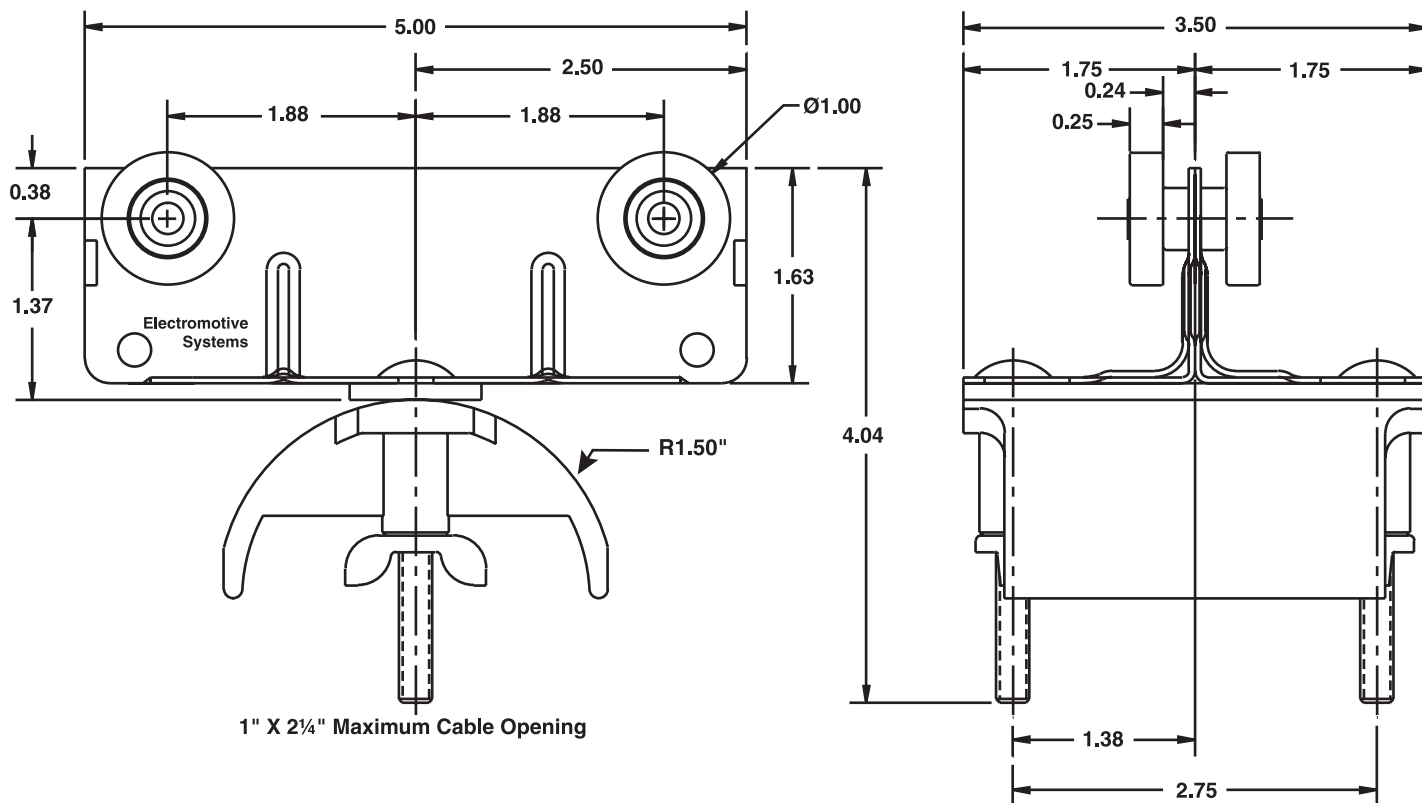
**MAGNETEK**  
UNCOMMON POWER

# Electromotive Systems

*C-Track Festoon Systems*

*Technical Bulletin FS-CT18*

## Standard Duty Trolleys



F-CC5 Standard Duty Trolley

F-CC5X1 Standard Duty Corrosion Resistant Trolley (Stainless Steel Frame and Wheels) -1.0 lbs./ea.

All data subject to change without notice.



**MAGNETEK**  
UNCOMMON POWER

[www.electromotive.com](http://www.electromotive.com)

## Electromotive Systems

PO Box 13615  
Milwaukee, WI 53213  
Phone: 800-288-8178  
Fax: 800-298-3503

N49 W13650 Campbell Drive  
Menomonee Falls, WI 53051

9/1/03



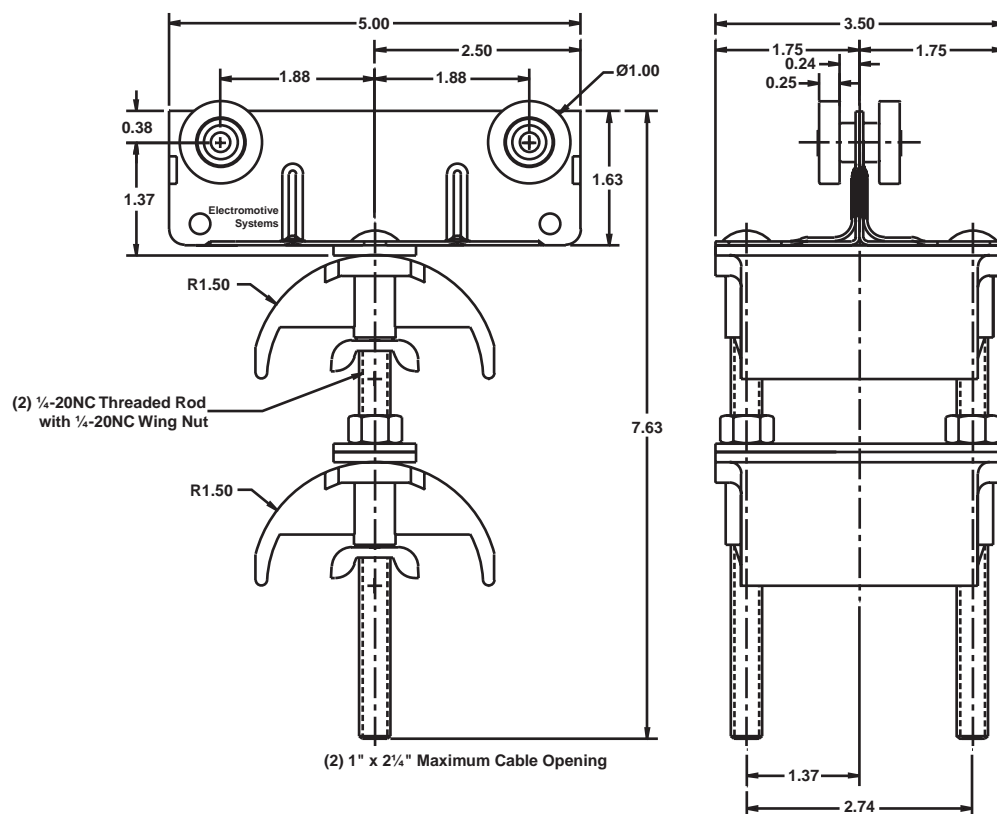
**MAGNETEK**  
UNCOMMON POWER

# Electromotive Systems

*C-Track Festoon Systems*

*Technical Bulletin FS-CT19*

## Standard Duty Trolley Double Saddle



F-CC5-2 Standard Duty Trolley Double Saddle—1-30 lbs./ea.

All data subject to change without notice.



**MAGNETEK**  
UNCOMMON POWER

[www.electromotive.com](http://www.electromotive.com)

### Electromotive Systems

PO Box 13615  
Milwaukee, WI 53213  
Phone: 800-288-8178  
Fax: 800-298-3503

N49 W13650 Campbell Drive  
Menomonee Falls, WI 53051

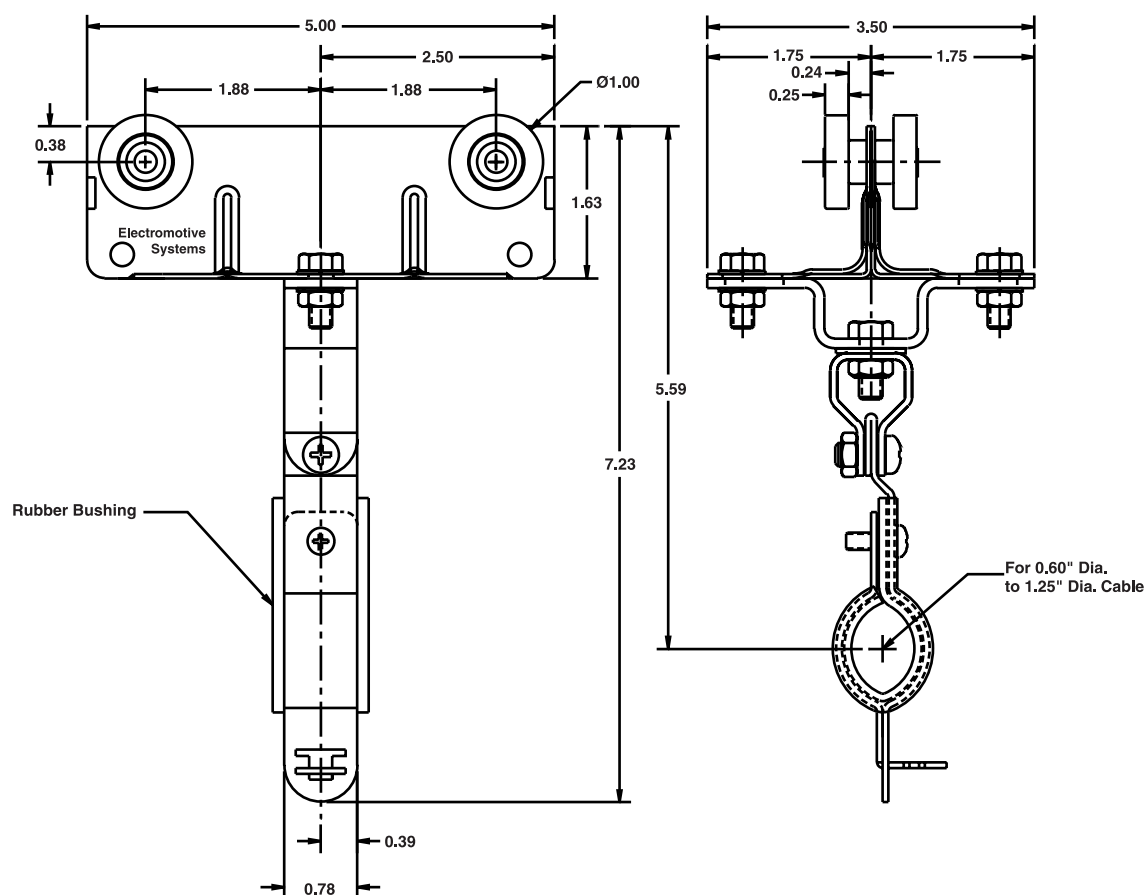
9/1/03







### Standard Duty Trolley Round Cable Saddle



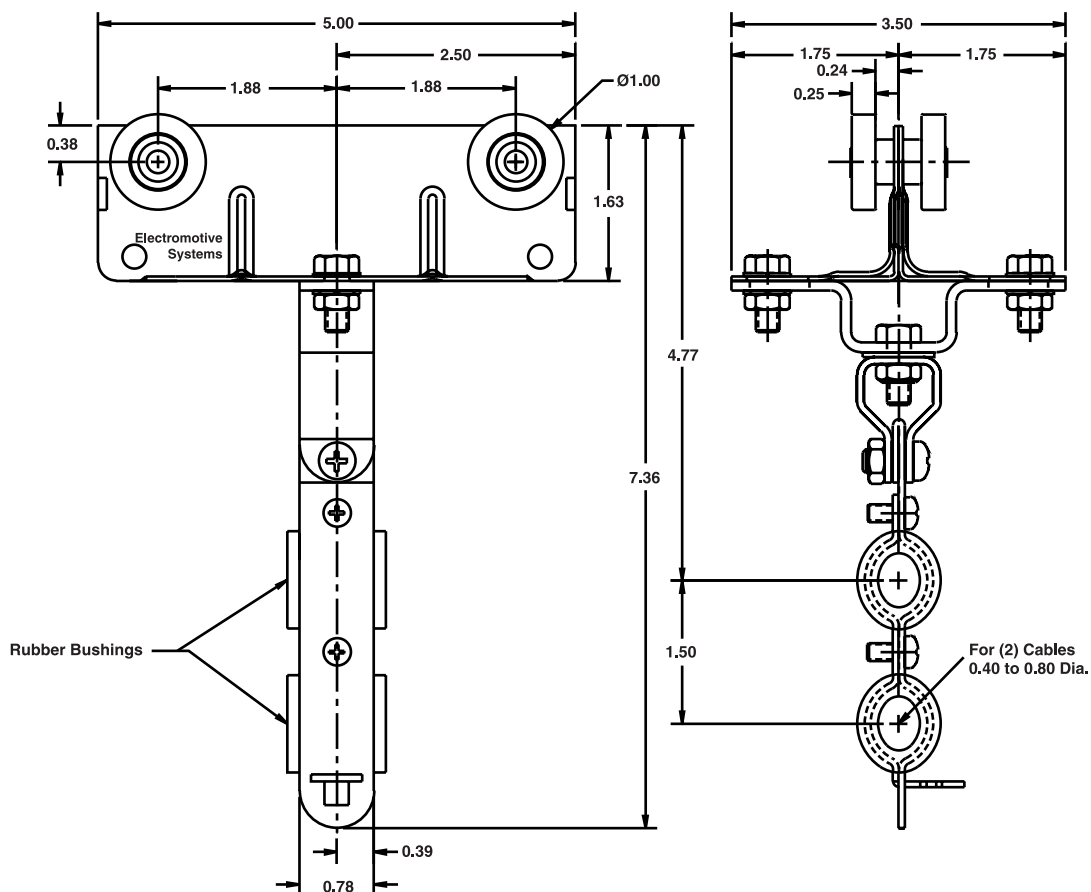
R-CC5 Standard Duty Trolley Round Cable Saddle—1.30 lbs./ea.

All data subject to change without notice.





## Standard Duty Trolley Double Round Cable Saddle



R-CC5-2 Standard Duty Trolley Double Round Cable Saddle—1.25 lbs./ea.  
All data subject to change without notice.





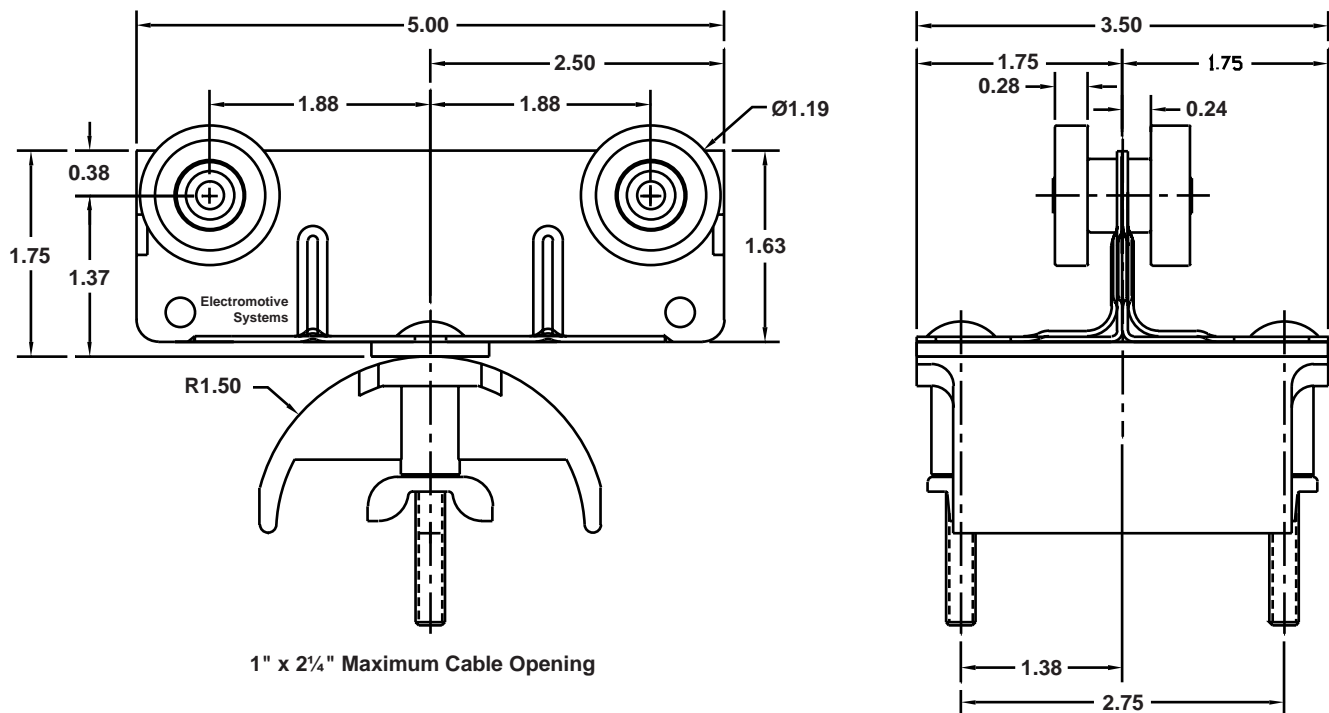
**MAGNETEK**  
UNCOMMON POWER

# Electromotive Systems

*C-Track Festoon Systems*

*Technical Bulletin FS-CT23*

## Heavy Duty Trolley



F-12CC5 Heavy Duty Trolley—1.40 lbs./ea.  
All data subject to change without notice.



**MAGNETEK**  
UNCOMMON POWER

[www.electromotive.com](http://www.electromotive.com)

### Electromotive Systems

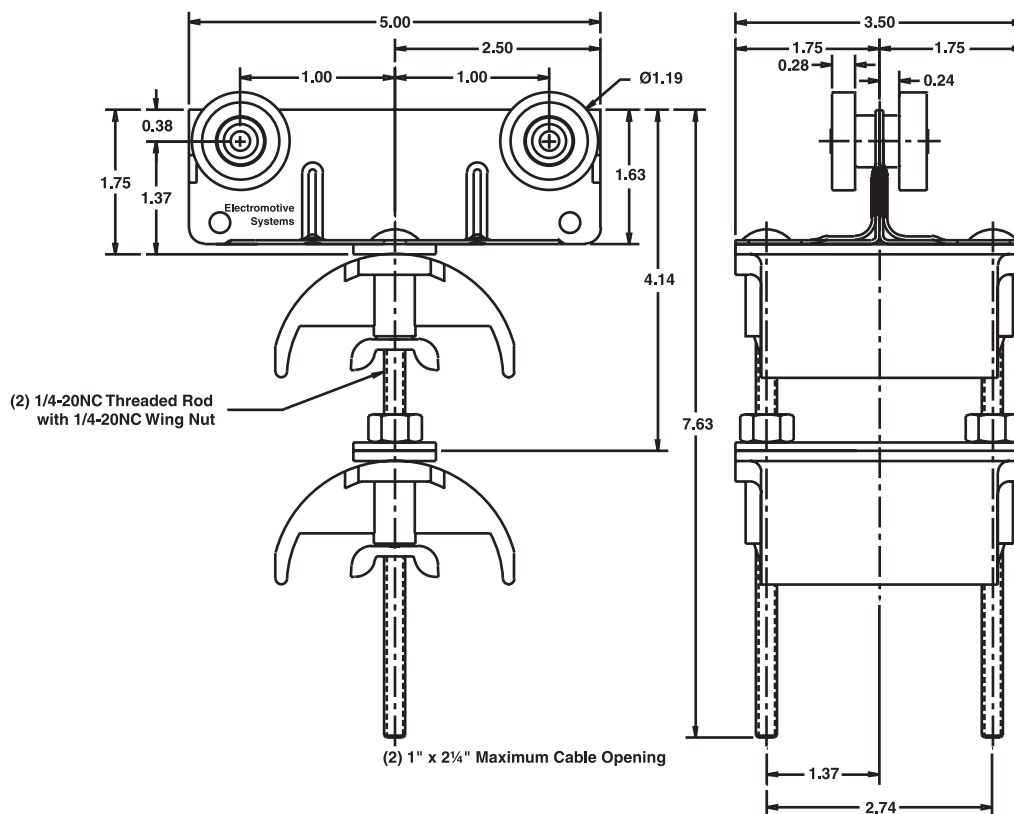
PO Box 13615  
Milwaukee, WI 53213  
Phone: 800-288-8178  
Fax: 800-298-3503

N49 W13650 Campbell Drive  
Menomonee Falls, WI 53051

9/1/03



### Heavy Duty Trolley Double Saddle



F-12CC5-2 Heavy Duty Trolley Double Saddle—1.70 lbs./ea.

All data subject to change without notice.





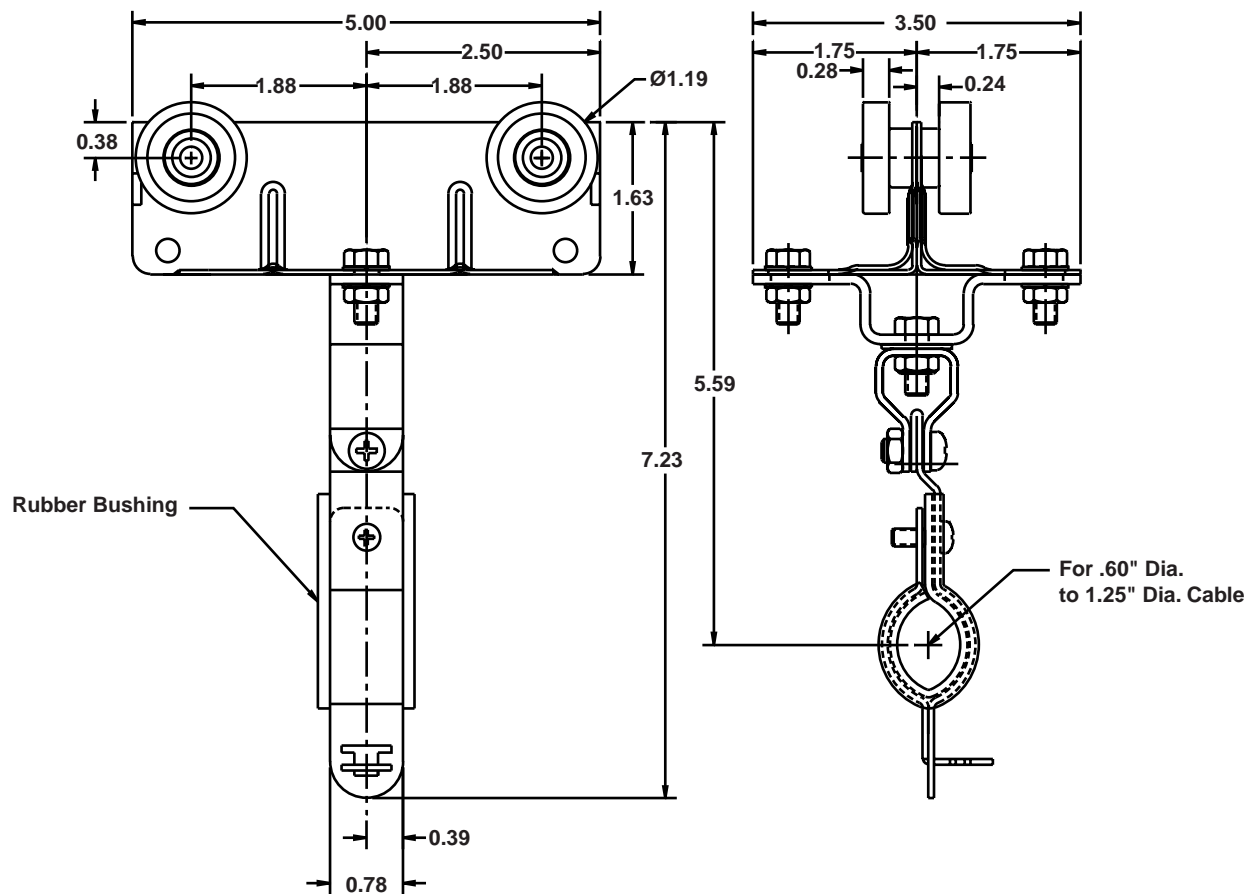
**MAGNETEK**  
UNCOMMON POWER

# Electromotive Systems

*C-Track Festoon Systems*

*Technical Bulletin FS-CT25*

## Heavy Duty Trolley Round Cable Saddle



R-12CC5 Heavy Duty Trolley Round Cable Saddle—1.70 lbs./ea.

All data subject to change without notice.



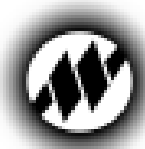
**MAGNETEK**  
UNCOMMON POWER

[www.electromotive.com](http://www.electromotive.com)

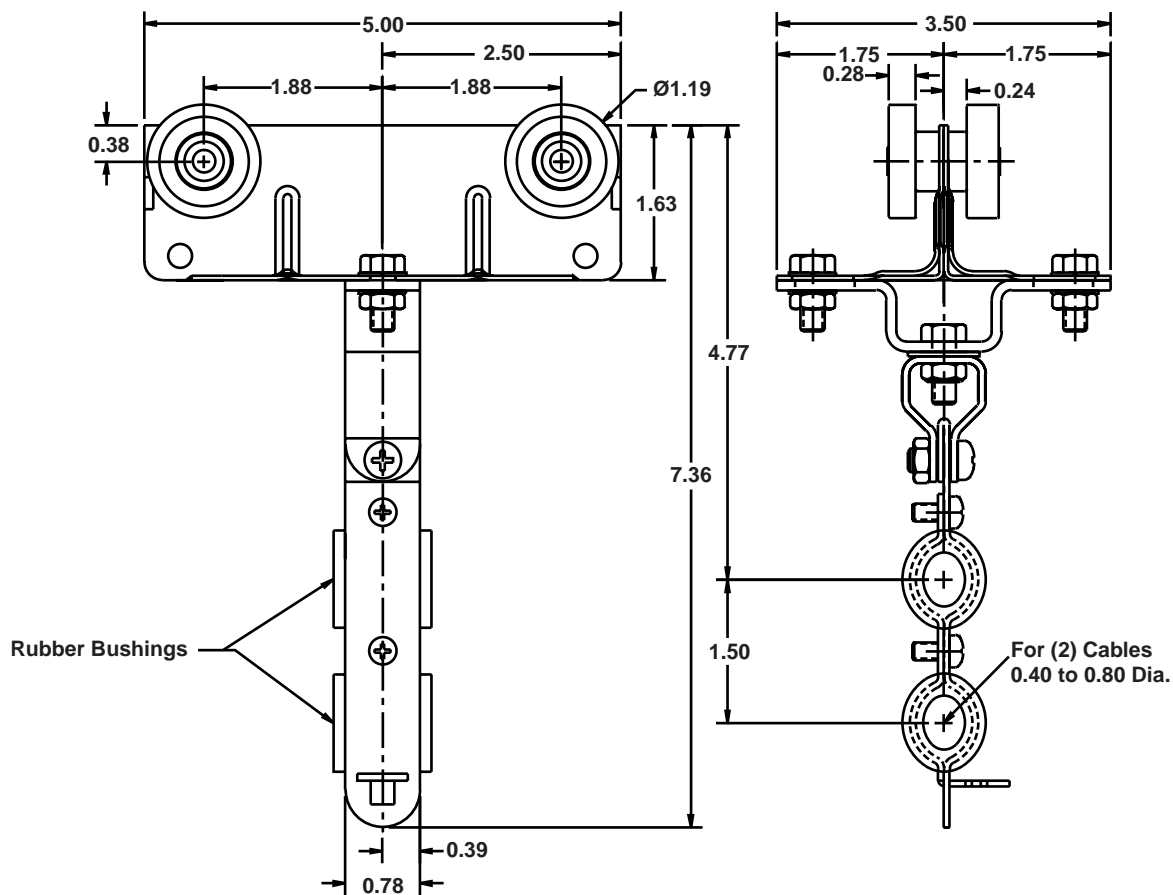
### Electromotive Systems

PO Box 13615  
Milwaukee, WI 53213  
Phone: 800-288-8178  
Fax: 800-298-3503

N49 W13650 Campbell Drive  
Menomonee Falls, WI 53051



### Heavy Duty Trolley Double Round Cable Saddle



R-12CC5-2 Heavy Duty Trolley Double Round Cable Saddle—2.00 lbs./ea.

All data subject to change without notice.

