



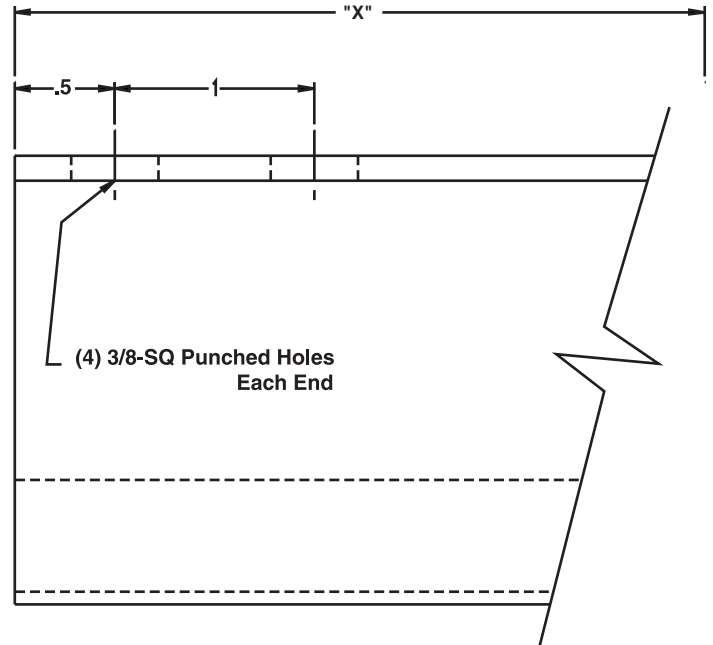
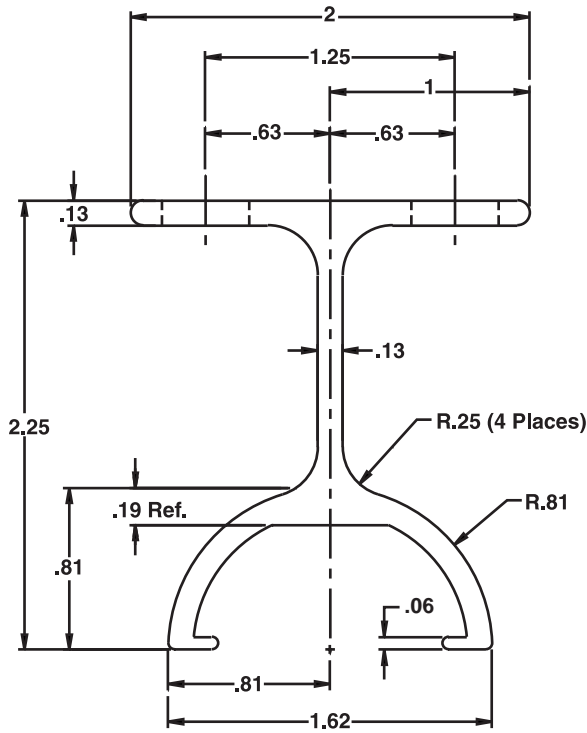
**MAGNETEK**  
UNCOMMON POWER

# Electromotive Systems

Heavy Duty Aluminum Festoon Systems

Technical Bulletin FS-HT1

## Heavy Duty Aluminum Track



F-HT10 Heavy Duty Aluminum Track x 10'-0" (+/- 0.125")

F-HT20 Heavy Duty Aluminum Track x 20'-0" (+/- 0.125")

F-HTX Heavy Duty Aluminum Track x "X" Length

1.0 lbs./ft.

Data subject to change without notice.

Data subject to change without notice.



**MAGNETEK**  
UNCOMMON POWER

### Electromotive Systems

PO Box 13615  
Milwaukee, WI 53213  
Phone: 800-288-8178  
Fax: 800-298-3503

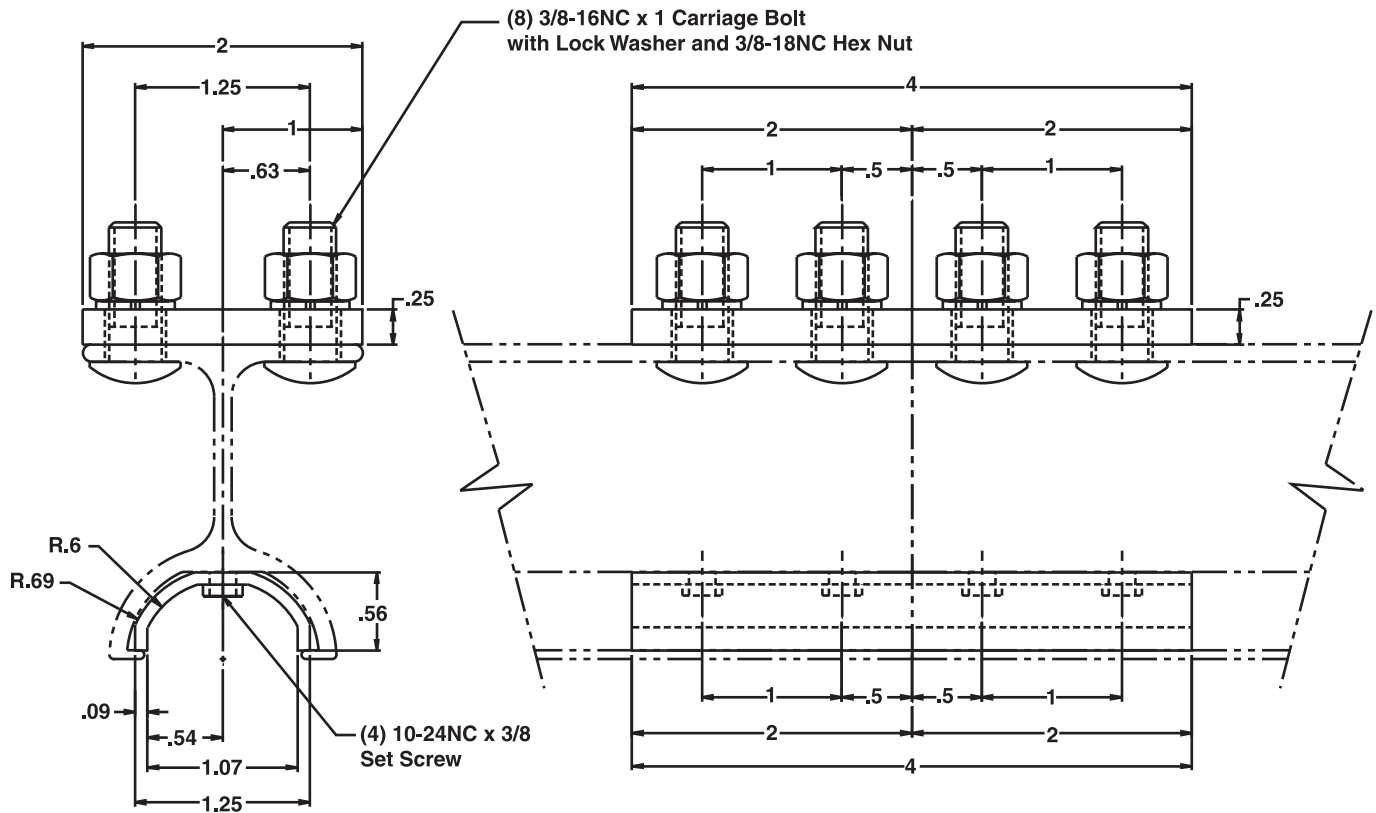
N49 W13650 Campbell Drive  
Menomonee Falls, WI 53051

[www.electromotive.com](http://www.electromotive.com)

9/1/03



### Heavy Duty Aluminum Joint Assembly



F-HTJ Heavy Duty Aluminum Joint Assembly (2 Piece Assembly)-1.0 lbs./ft.

Data subject to change without notice.





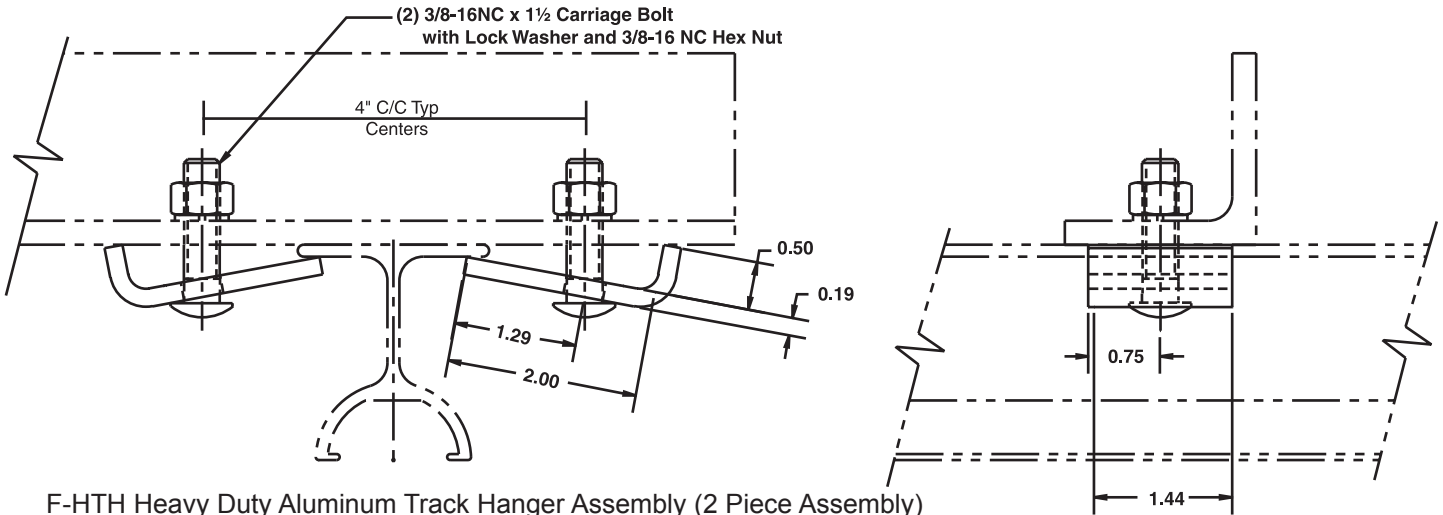
**MAGNETEK**  
UNCOMMON POWER

# Electromotive Systems

Heavy Duty Aluminum Festoon Systems

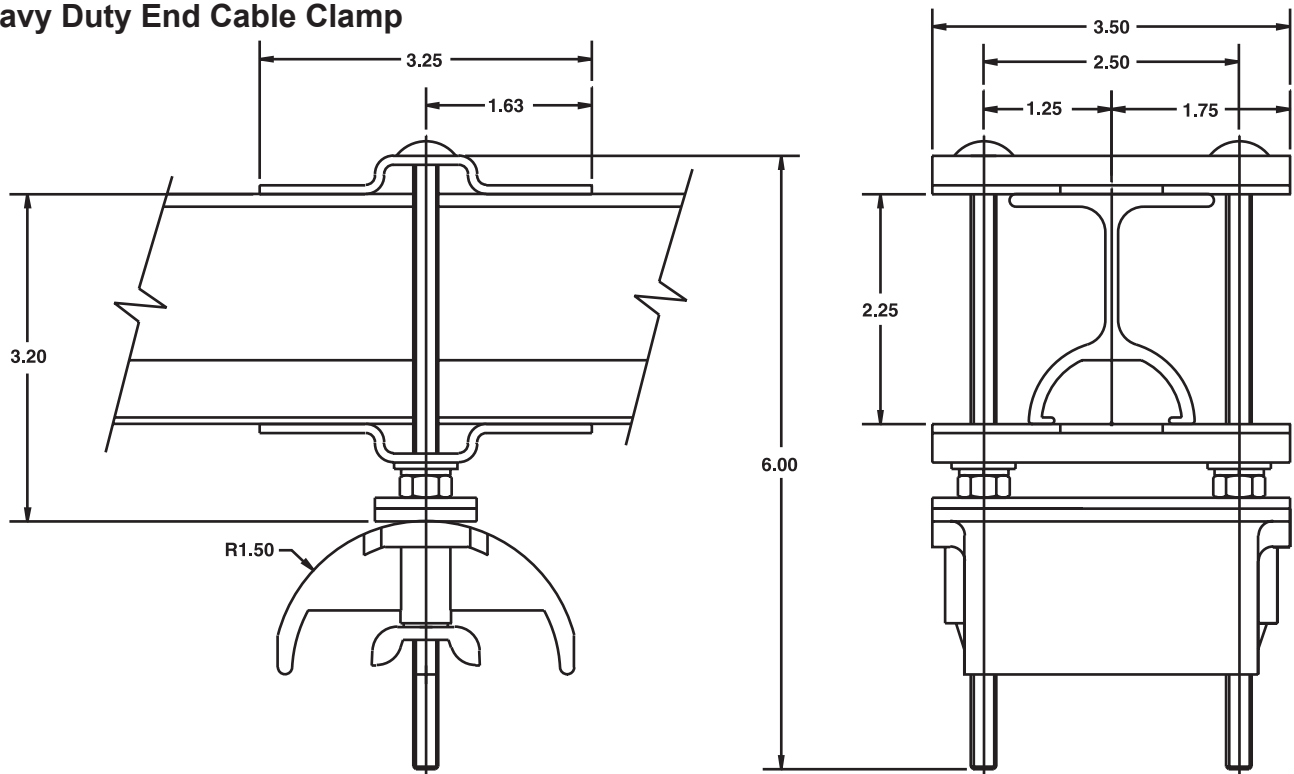
Technical Bulletin FS-HT2

## Heavy Duty Aluminum Track Hanger Assembly



F-HTH Heavy Duty Aluminum Track Hanger Assembly (2 Piece Assembly)  
- 0.80 lbs./assembly

## Heavy Duty End Cable Clamp



F-HTE Heavy Duty End Cable Clamp 1" x 2 1/4" Maximum Cable Opening

F-HTE-SS Heavy Duty Stainless Steel End Cable Clamp

0.90 lbs./ea. Data subject to change without notice.



**MAGNETEK**  
UNCOMMON POWER

[www.electromotive.com](http://www.electromotive.com)

## Electromotive Systems

PO Box 13615  
Milwaukee, WI 53213  
Phone: 800-288-8178  
Fax: 800-298-3503

N49 W13650 Campbell Drive  
Menomonee Falls, WI 53051



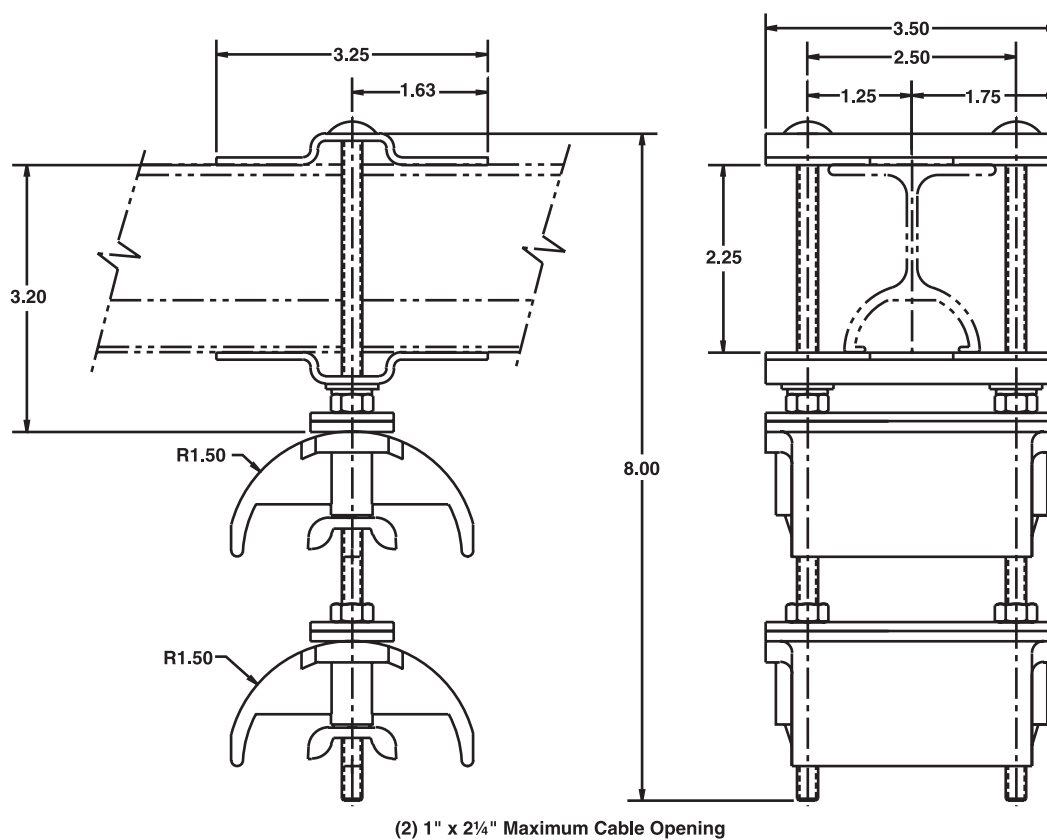
**MAGNETEK**  
UNCOMMON POWER

# Electromotive Systems

Heavy Duty Aluminum Festoon Systems

Technical Bulletin FS-HT3

## Heavy Duty End Cable Clamp Double Saddle



F-HTE-2 Heavy Duty End Cable Clamp Double Saddle - 1.70 lbs./ea.

Data subject to change without notice.



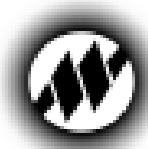
**MAGNETEK**  
UNCOMMON POWER

[www.electromotive.com](http://www.electromotive.com)

### Electromotive Systems

PO Box 13615  
Milwaukee, WI 53213  
Phone: 800-288-8178  
Fax: 800-298-3503

N49 W13650 Campbell Drive  
Menomonee Falls, WI 53051



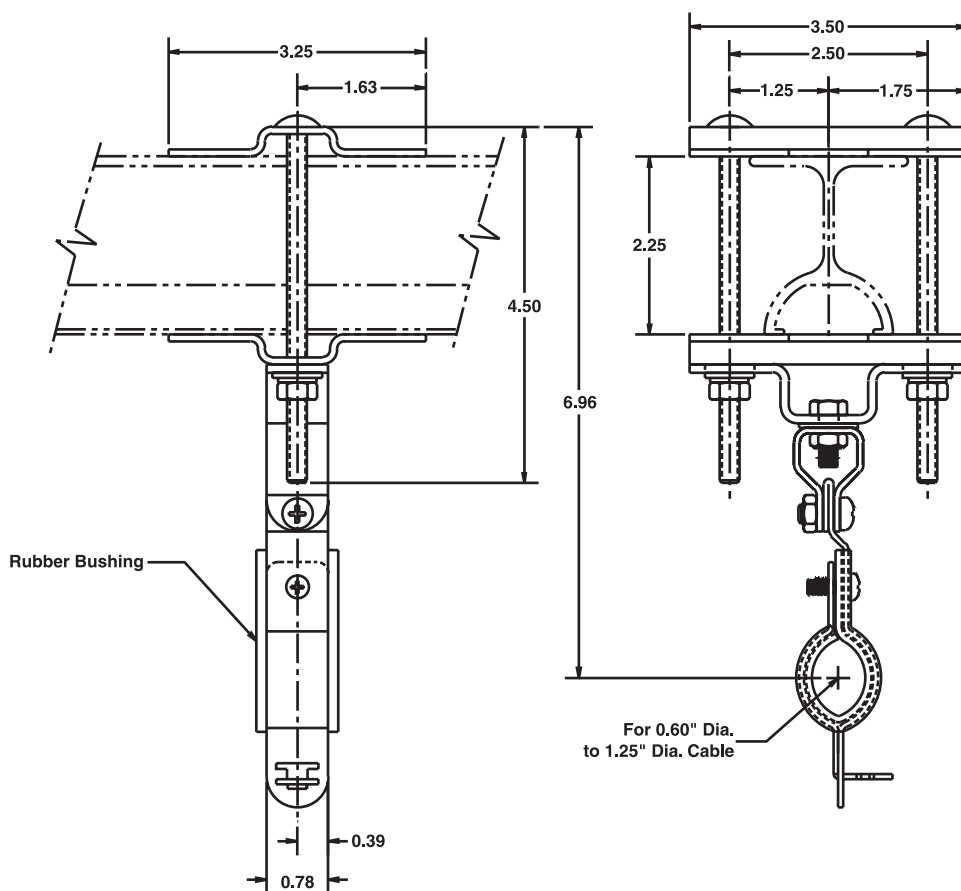
**MAGNETEK**  
UNCOMMON POWER

# Electromotive Systems

Heavy Duty Aluminum Festoon Systems

Technical Bulletin FS-HT3

## Heavy Duty End Cable Clamp Single Round Cable



R-HTE Heavy Duty End Cable Clamp Single Round Cable—1.00 lbs./ea.

Data subject to change without notice.



**MAGNETEK**  
UNCOMMON POWER

[www.electromotive.com](http://www.electromotive.com)

### Electromotive Systems

PO Box 13615  
Milwaukee, WI 53213  
Phone: 800-288-8178  
Fax: 800-298-3503

N49 W13650 Campbell Drive  
Menomonee Falls, WI 53051



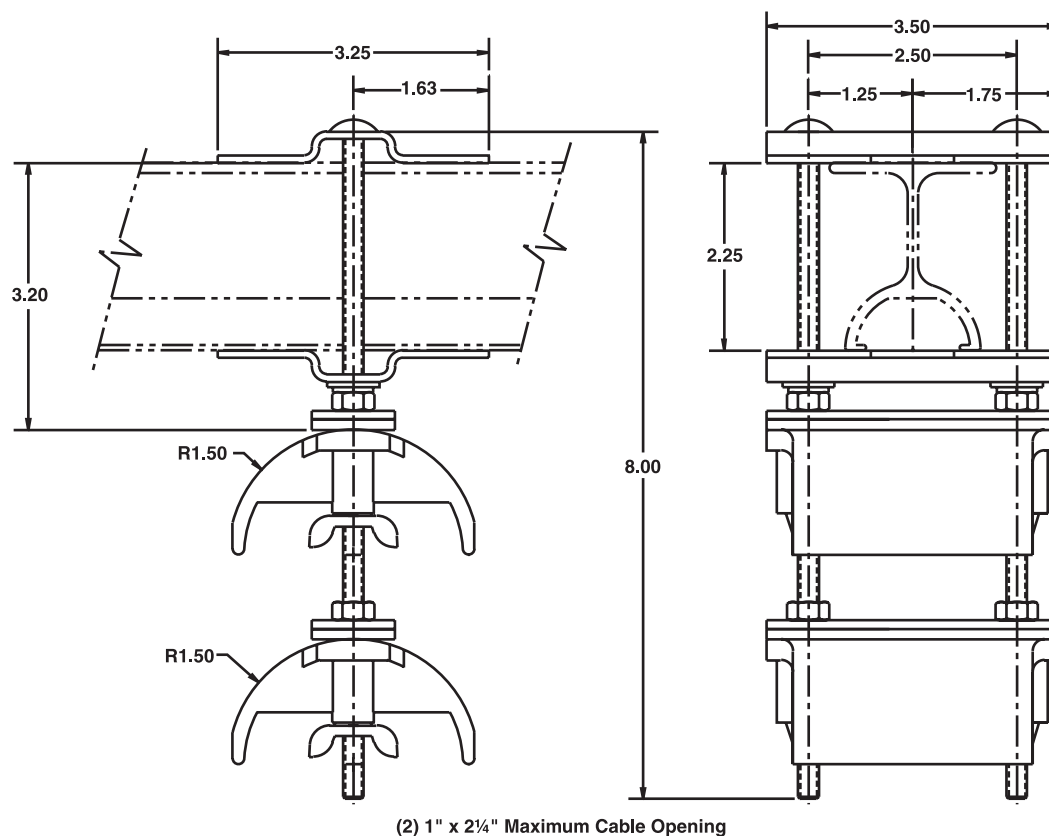
**MAGNETEK**  
UNCOMMON POWER

# Electromotive Systems

Heavy Duty Aluminum Festoon Systems

Technical Bulletin FS-HT4

## Heavy Duty End Cable Clamp Double Round Cable



R-HTE-2 Heavy Duty End Cable Clamp Double Round Cable—1.25 lbs./ea.

Data subject to change without notice.



**MAGNETEK**  
UNCOMMON POWER

[www.electromotive.com](http://www.electromotive.com)

### Electromotive Systems

PO Box 13615  
Milwaukee, WI 53213  
Phone: 800-288-8178  
Fax: 800-298-3503

N49 W13650 Campbell Drive  
Menomonee Falls, WI 53051



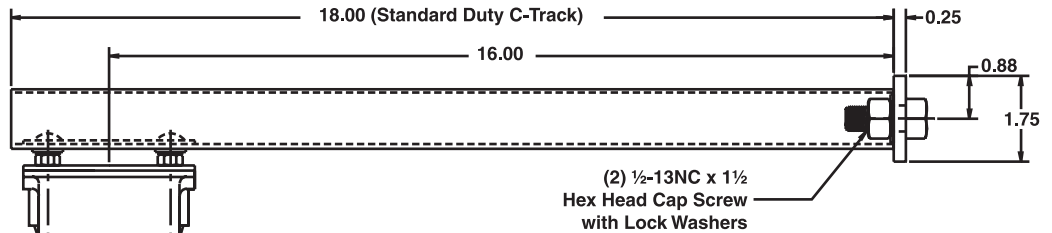
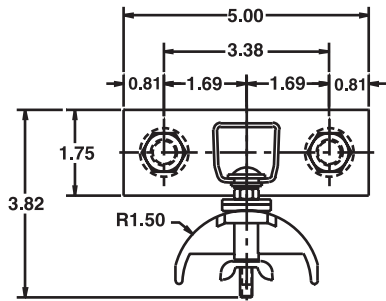
**MAGNETEK**  
UNCOMMON POWER

# Electromotive Systems

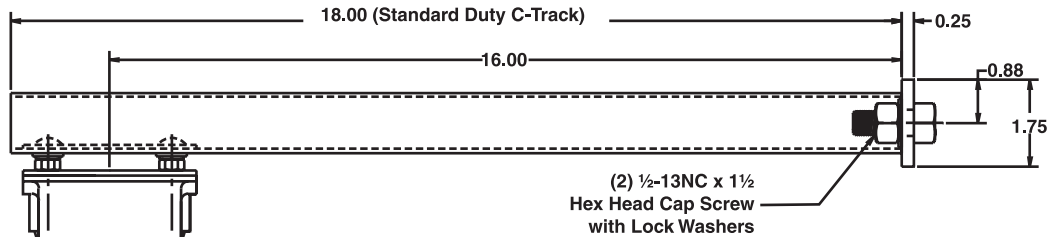
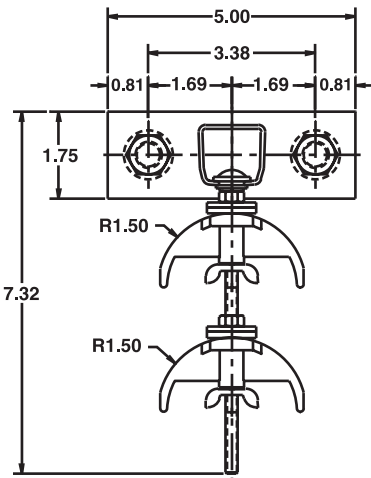
## Heavy Duty Aluminum Festoon Systems

Technical Bulletin FS-HT5

### Heavy Duty Tow Arm/Cable Saddle Assembly

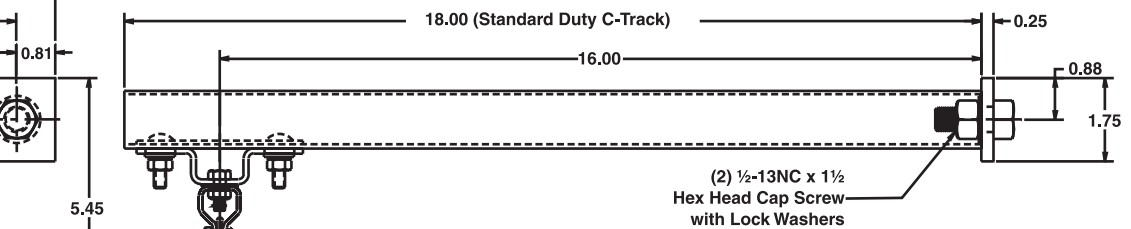
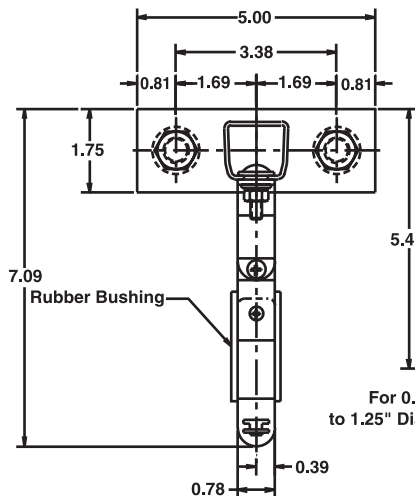


F-HTA Heavy Duty Tow Arm/Cable Saddle Assembly  
F-HTA-SS Heavy Duty Stainless Steel Tow Arm/Cable Saddle Assembly -3.25 lbs/ea.  
1" x 2 1/4" Maximum Cable Opening



F-HTA-2 Heavy Duty Tow Arm/Cable Saddle Assembly -4.00 lbs./ea.

(2) 1" x 2 1/4" Maximum Cable Opening



R-HTA Heavy Duty Tow Arm/Round Cable Saddle Assembly -3.50 lbs./ea.

Data subject to change without notice.



**MAGNETEK**  
UNCOMMON POWER

[www.electromotive.com](http://www.electromotive.com)

### Electromotive Systems

PO Box 13615  
Milwaukee, WI 53213  
Phone: 800-288-8178  
Fax: 800-298-3503

N49 W13650 Campbell Drive  
Menomonee Falls, WI 53051



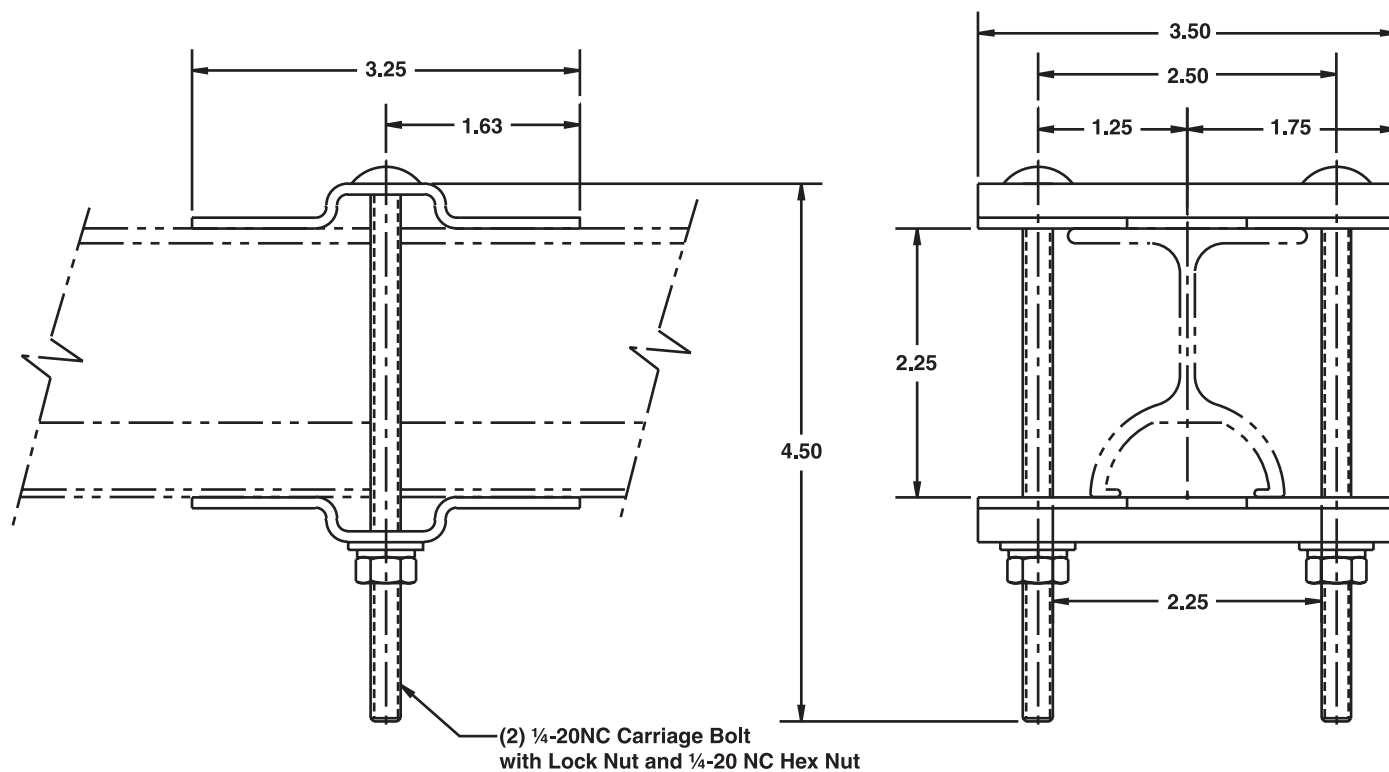
**MAGNETEK**  
UNCOMMON POWER

# Electromotive Systems

Heavy Duty Aluminum Festoon Systems

Technical Bulletin FS-HT6

## Heavy Duty End Stop Assembly



F-HTS Heavy Duty End Stop Assembly  
F-HTS-SS Heavy Duty Stainless Steel End Stop Assembly  
0.60 lbs./assembly

Data subject to change without notice.



**MAGNETEK**  
UNCOMMON POWER

[www.electromotive.com](http://www.electromotive.com)

### Electromotive Systems

PO Box 13615  
Milwaukee, WI 53213  
Phone: 800-288-8178  
Fax: 800-298-3503

N49 W13650 Campbell Drive  
Menomonee Falls, WI 53051

9/1/03





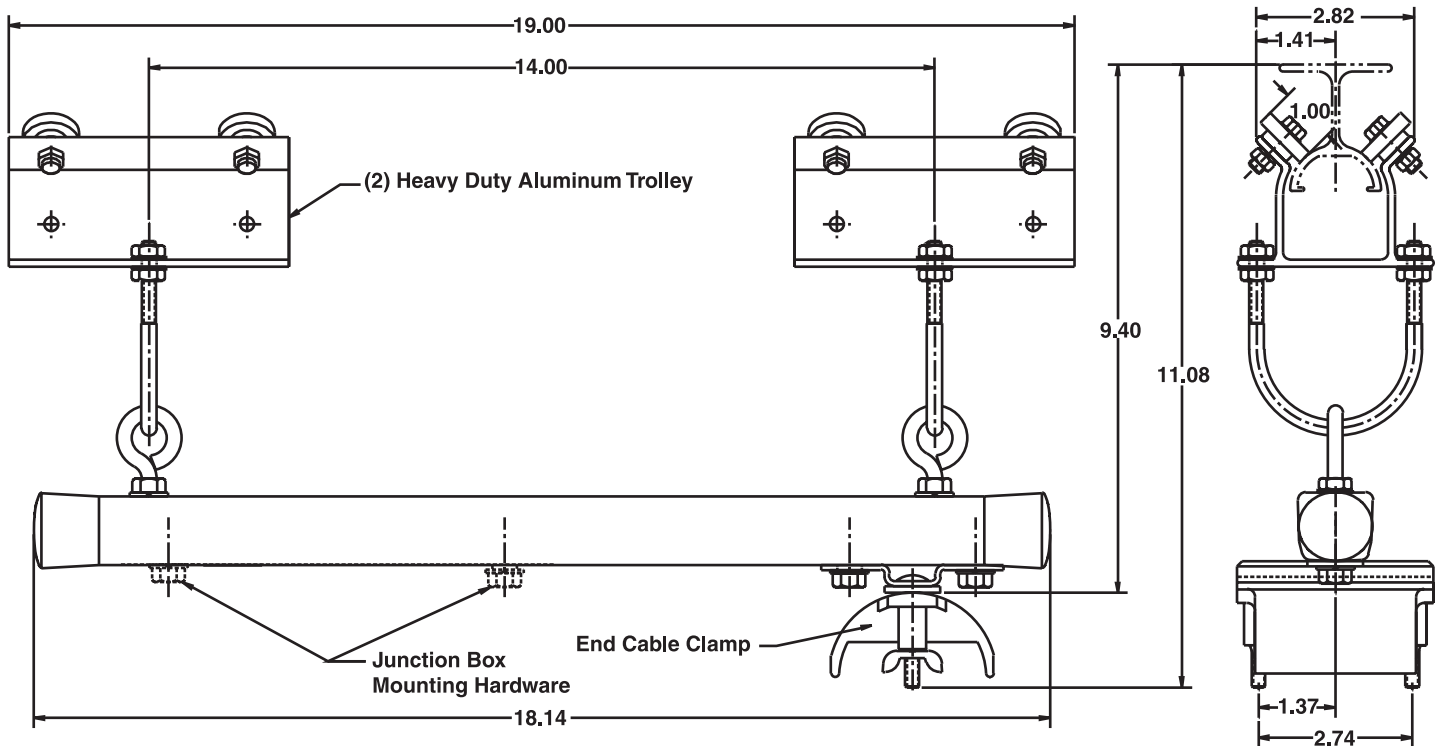
**MAGNETEK**  
UNCOMMON POWER

# Electromotive Systems

## Heavy Duty Aluminum Festoon Systems

Technical Bulletin FS-HT6

### Heavy Duty Control Box Trolley



F-HCB Heavy Duty Control Box Trolley

F-HCBX1 Heavy Duty Corrosion Resistant Control Box Trolley (Stainless Steel Wheels and Hardware)

5.20 lb./ea.

Data subject to change without notice.



**MAGNETEK**  
UNCOMMON POWER

[www.electromotive.com](http://www.electromotive.com)

### Electromotive Systems

PO Box 13615  
Milwaukee, WI 53213  
Phone: 800-288-8178  
Fax: 800-298-3503

N49 W13650 Campbell Drive  
Menomonee Falls, WI 53051

9/1/03



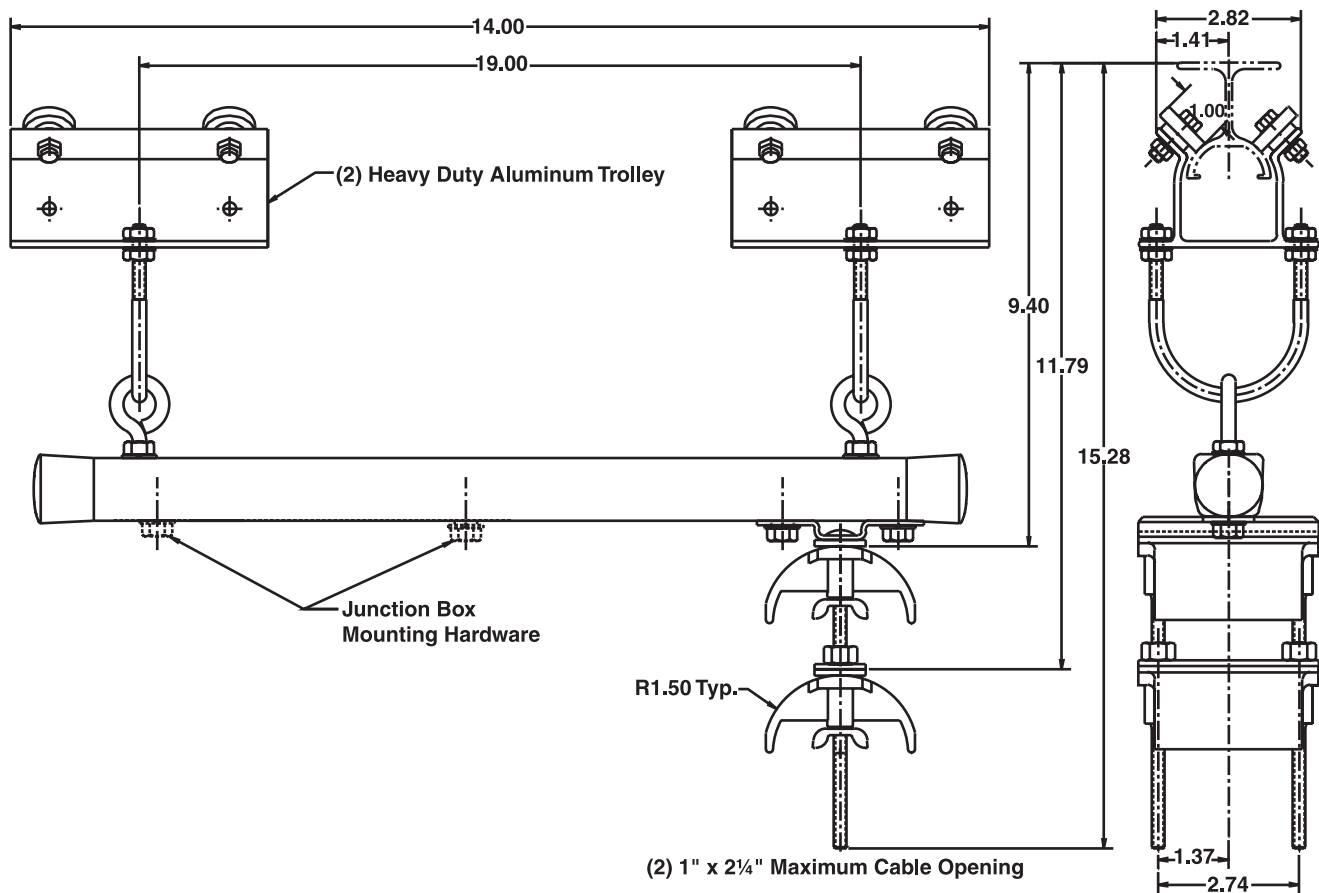
**MAGNETEK**  
UNCOMMON POWER

# Electromotive Systems

Heavy Duty Aluminum Festoon Systems

Technical Bulletin: FS-HT7

## Heavy Duty Control Box Trolley Double Saddle



F-HCB-2 Heavy Duty Control Box Trolley Double Saddle—5.50 Lbs./ea.

*Data subject to change without notice.*



**MAGNETEK**  
UNCOMMON POWER

[www.electromotive.com](http://www.electromotive.com)

### Electromotive Systems

PO Box 13615  
Milwaukee, WI 53213  
Phone: 800-288-8178  
Fax: 800-298-3503

N49 W13650 Campbell Drive  
Menomonee Falls, WI 53051

9/1/03



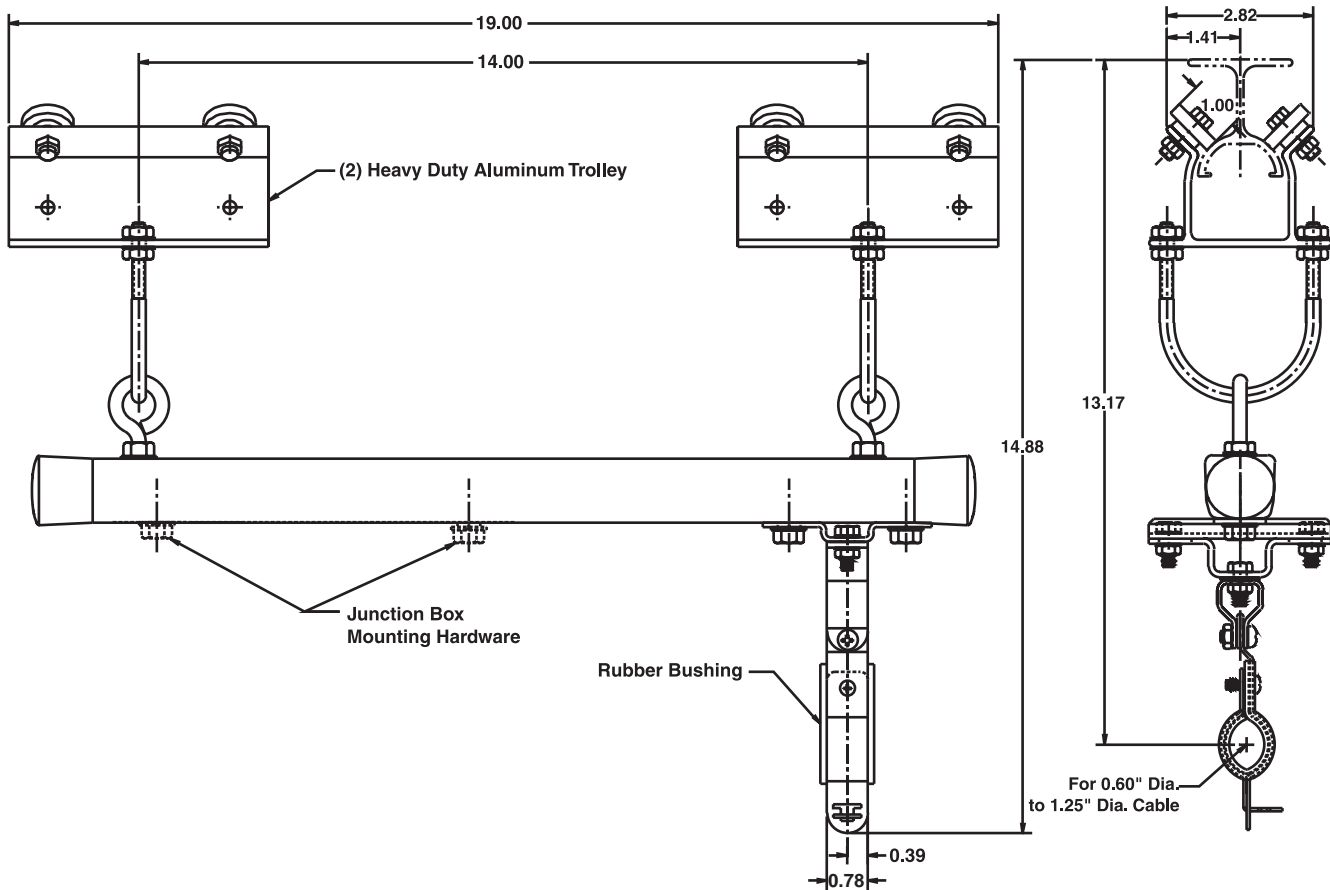
**MAGNETEK**  
UNCOMMON POWER

# Electromotive Systems

Heavy Duty Aluminum Festoon Systems

Technical Bulletin: FS-HT7

## Heavy Duty Control Box Trolley Single Round Cable



R-HCB Heavy Duty Control Box Trolley Single Round Cable—5.20 lbs./ea.  
Data subject to change without notice.



**MAGNETEK**  
UNCOMMON POWER

[www.electromotive.com](http://www.electromotive.com)

### Electromotive Systems

PO Box 13615  
Milwaukee, WI 53213  
Phone: 800-288-8178  
Fax: 800-298-3503

N49 W13650 Campbell Drive  
Menomonee Falls, WI 53051

9/1/03



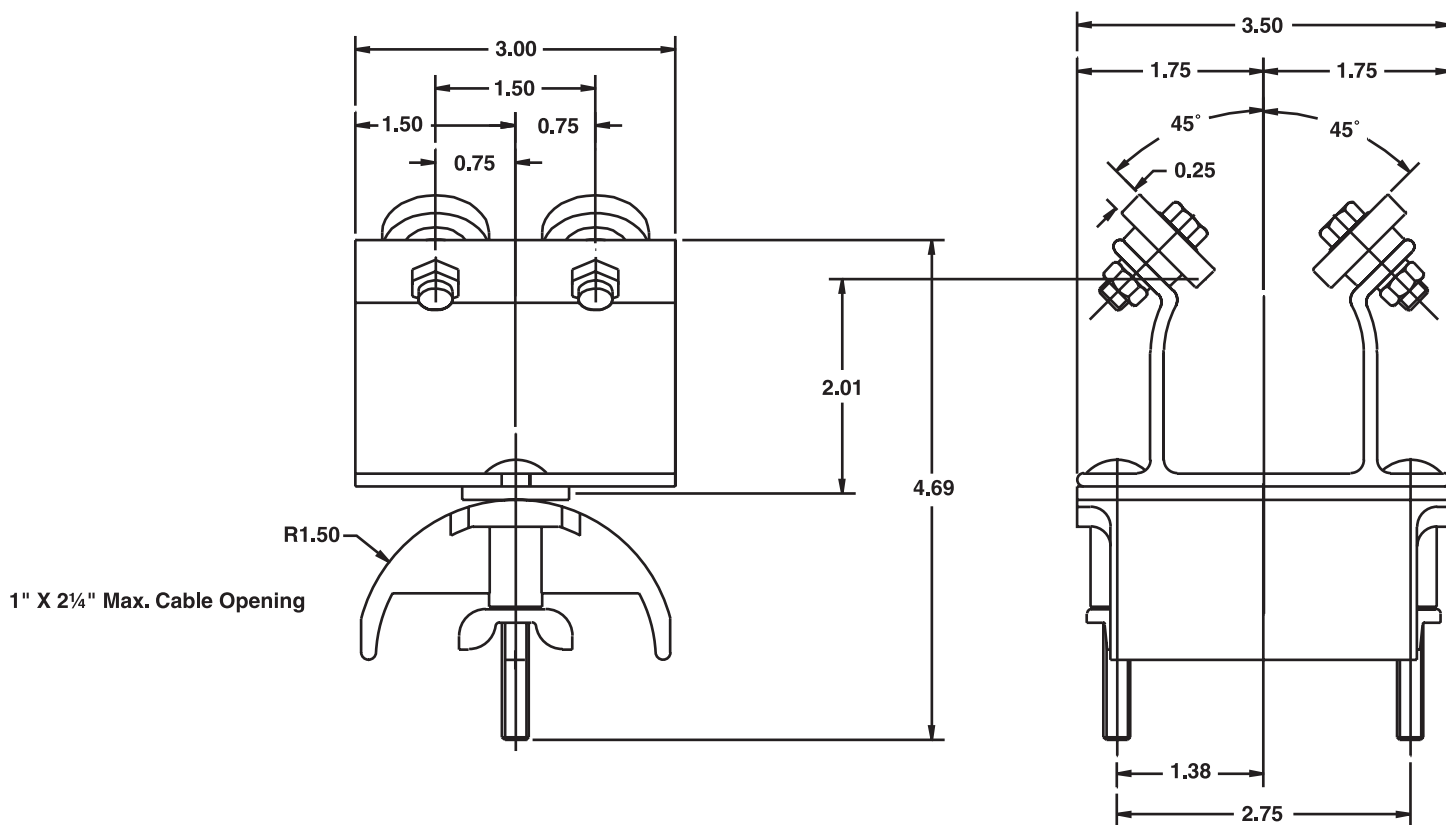
**MAGNETEK**  
UNCOMMON POWER

# Electromotive Systems

Heavy Duty Aluminum Festoon Systems

Technical Bulletin: FS-HT8

## Heavy Duty Aluminum Trolley



F-HC3 Heavy Duty Aluminum Trolley—0.85 lbs./ea.



**MAGNETEK**  
UNCOMMON POWER

[www.electromotive.com](http://www.electromotive.com)

### Electromotive Systems

PO Box 13615  
Milwaukee, WI 53213  
Phone: 800-288-8178  
Fax: 800-298-3503

N49 W13650 Campbell Drive  
Menomonee Falls, WI 53051

9/1/03



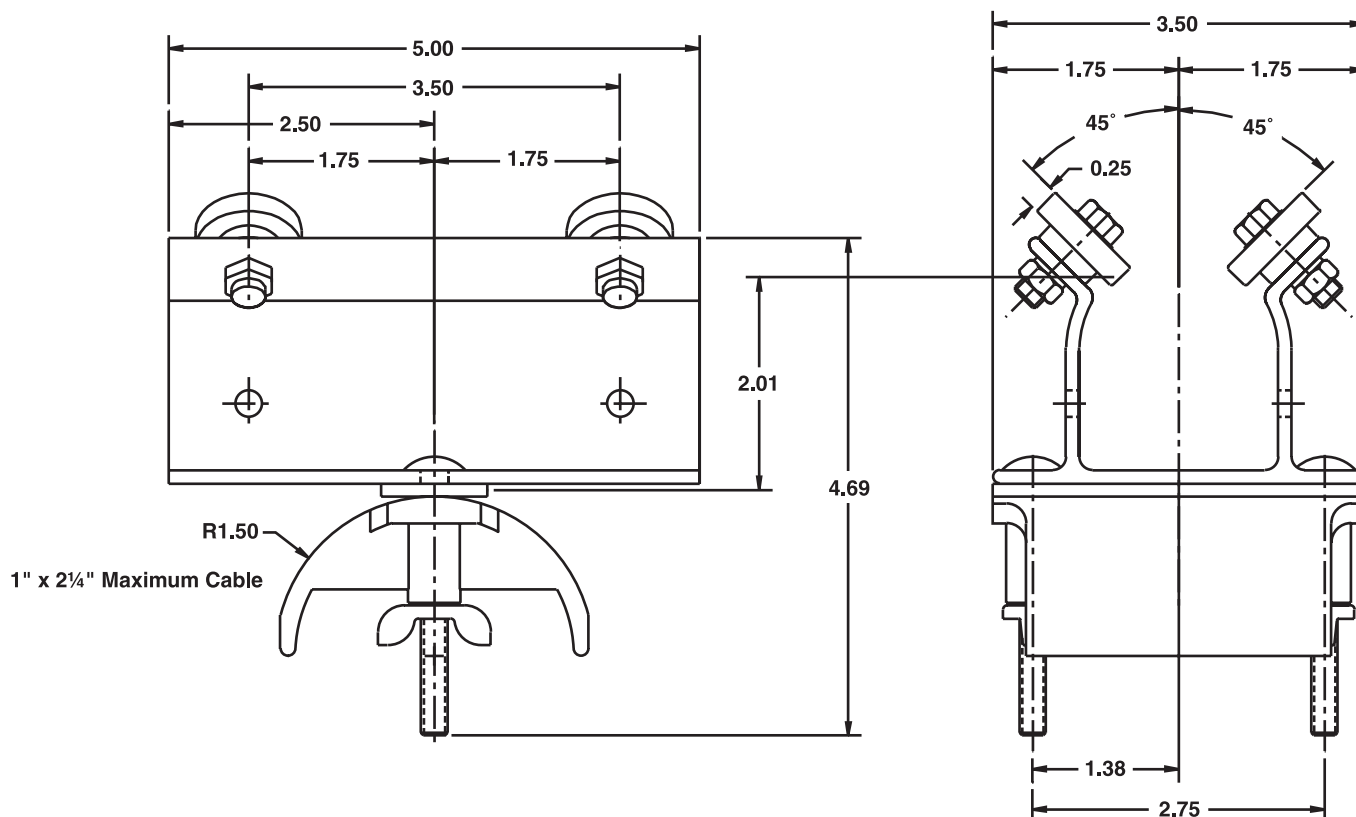
**MAGNETEK**  
UNCOMMON POWER

# Electromotive Systems

Heavy Duty Aluminum Festoon Systems

Technical Bulletin: FS-HT8

## Heavy Duty Aluminum Trolley



F-HC5 Heavy Duty Aluminum Trolley

F-HC5X1 Heavy Duty Aluminum Corrosion Resistant Trolley (Stainless Steel Wheels and Hardware)

F-HC5X2 Heavy Duty Aluminum Spark Resistant Trolley (Stainless Hardware and Brass Wheels)

1.25 lbs./ea.

*Data subject to change without notice.*



**MAGNETEK**  
UNCOMMON POWER

[www.electromotive.com](http://www.electromotive.com)

### Electromotive Systems

PO Box 13615  
Milwaukee, WI 53213  
Phone: 800-288-8178  
Fax: 800-298-3503

N49 W13650 Campbell Drive  
Menomonee Falls, WI 53051

9/1/03



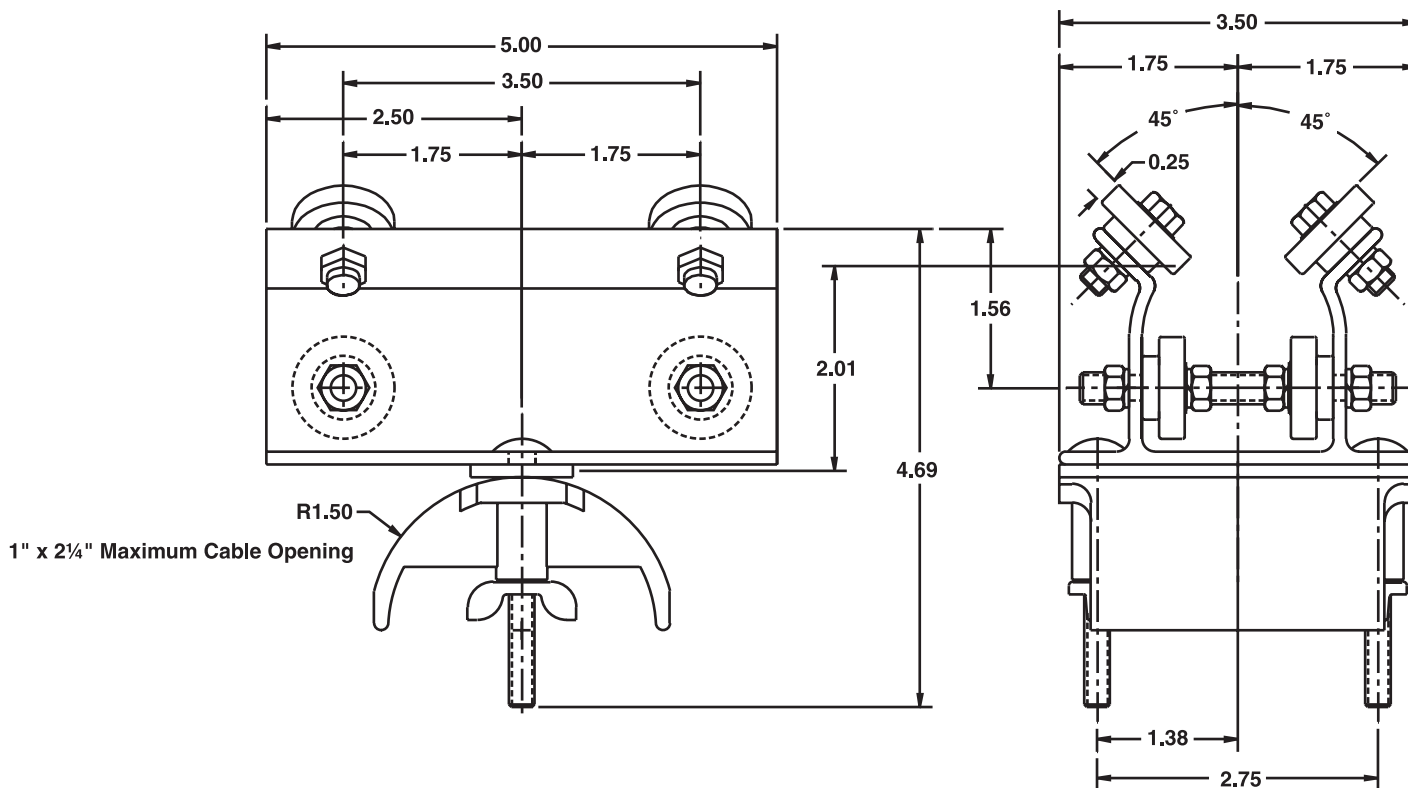
**MAGNETEK**  
UNCOMMON POWER

# Electromotive Systems

Heavy Duty Aluminum Festoon Systems

Technical Bulletin: FS-HT9

## Heavy Duty Aluminum Trolley with Anti-Lift Wheels



F-HC5A Heavy Duty Aluminum Trolley with Anti-Lift Wheels

F-HC5X1A Heavy Duty Aluminum Corrosion Resistant Trolley with Anti-Lift Wheels (Stainless Steel Wheels and Hardware)

F-HC5X2A Heavy Duty Aluminum Spark Resistant Trolley with Anti-Lift Wheels (Stainless Hardware and Brass Wheels)

1.25 lbs./ea.

Data subject to change without notice.



**MAGNETEK**  
UNCOMMON POWER

[www.electromotive.com](http://www.electromotive.com)

### Electromotive Systems

PO Box 13615  
Milwaukee, WI 53213  
Phone: 800-288-8178  
Fax: 800-298-3503

N49 W13650 Campbell Drive  
Menomonee Falls, WI 53051

9/1/03



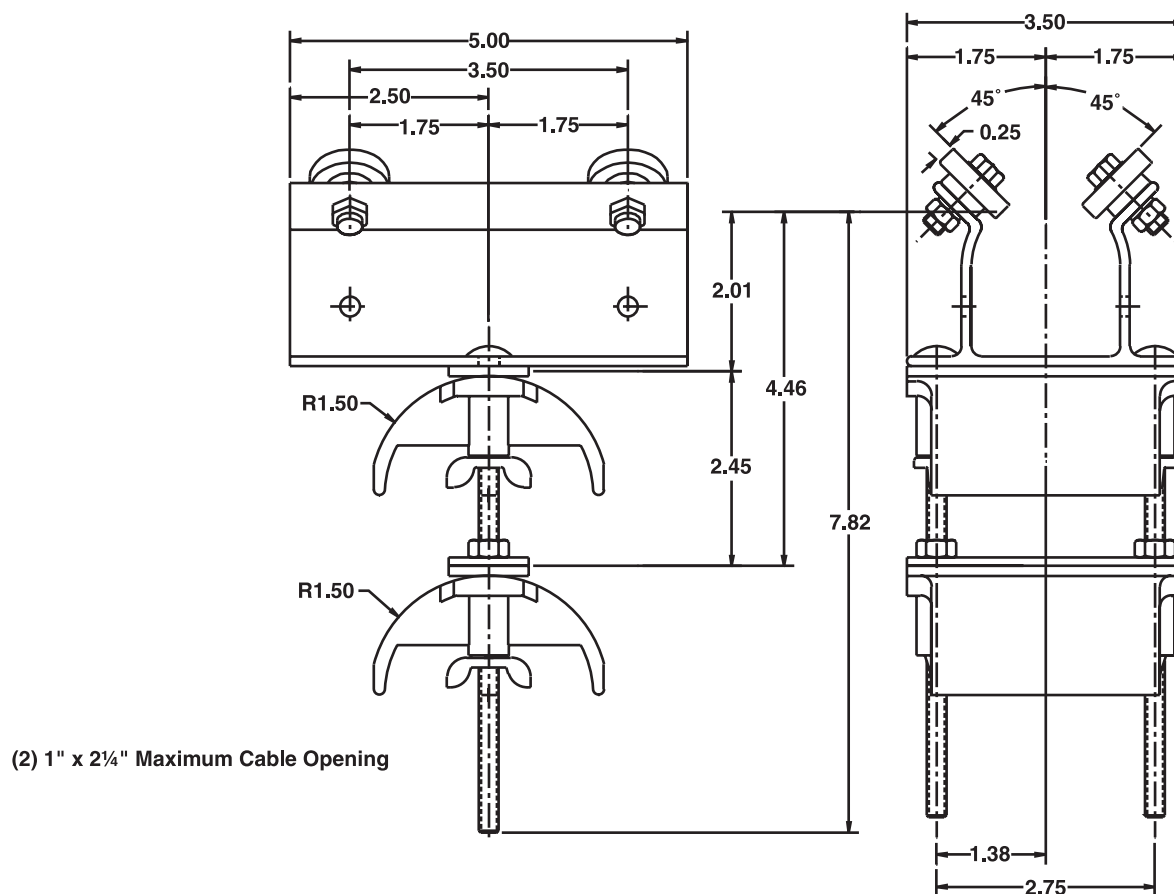
**MAGNETEK**  
UNCOMMON POWER

# Electromotive Systems

Heavy Duty Aluminum Festoon Systems

Technical Bulletin: FS-HT9

## Heavy Duty Aluminum Trolley Double Saddle



F-HC5-2 Heavy Duty Aluminum Trolley Double Saddle—2.25 lbs./ea.  
Data subject to change without notice.



**MAGNETEK**  
UNCOMMON POWER

[www.electromotive.com](http://www.electromotive.com)

### Electromotive Systems

PO Box 13615  
Milwaukee, WI 53213  
Phone: 800-288-8178  
Fax: 800-298-3503

N49 W13650 Campbell Drive  
Menomonee Falls, WI 53051

9/1/03



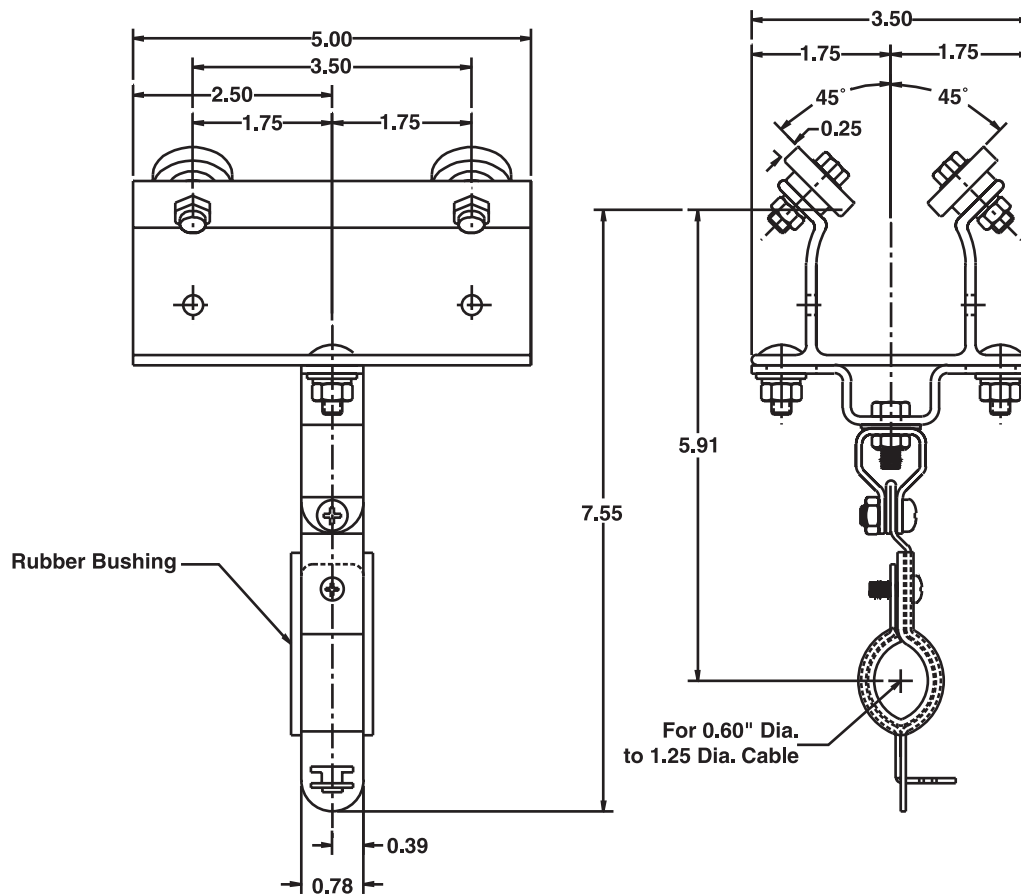
**MAGNETEK**  
UNCOMMON POWER

# Electromotive Systems

## Heavy Duty Aluminum Festoon Systems

Technical Bulletin: FS-HT10

### Heavy Duty Aluminum Trolley Round Saddle



R-HC5 Heavy Duty Aluminum Trolley Round Saddle—1.75 lbs./ea.  
*Data subject to change without notice.*



**MAGNETEK**  
UNCOMMON POWER

[www.electromotive.com](http://www.electromotive.com)

### Electromotive Systems

PO Box 13615  
Milwaukee, WI 53213  
Phone: 800-288-8178  
Fax: 800-298-3503

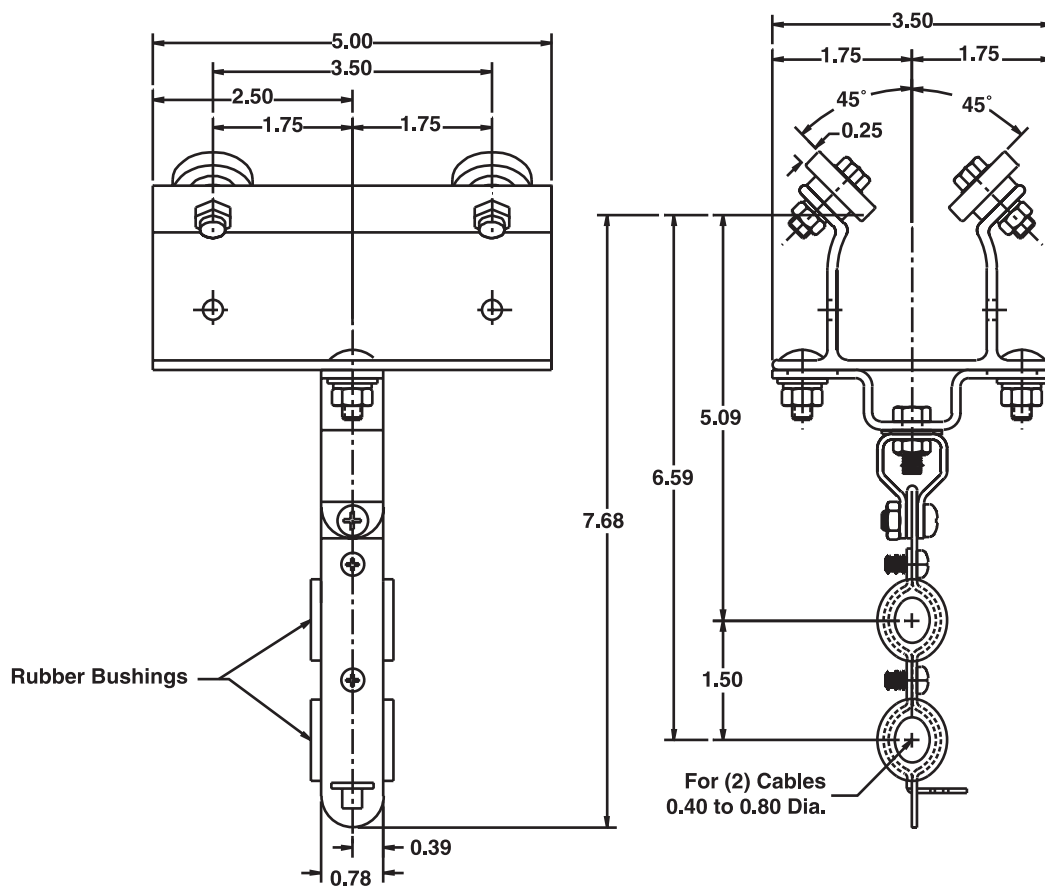
N49 W13650 Campbell Drive  
Menomonee Falls, WI 53051

9/1/03





### Heavy Duty Aluminum Trolley Double Round Saddle



R-HC5-2 Heavy Duty Aluminum Trolley Double Round Saddle—2.00 lbs./ea.  
*Data subject to change without notice.*

