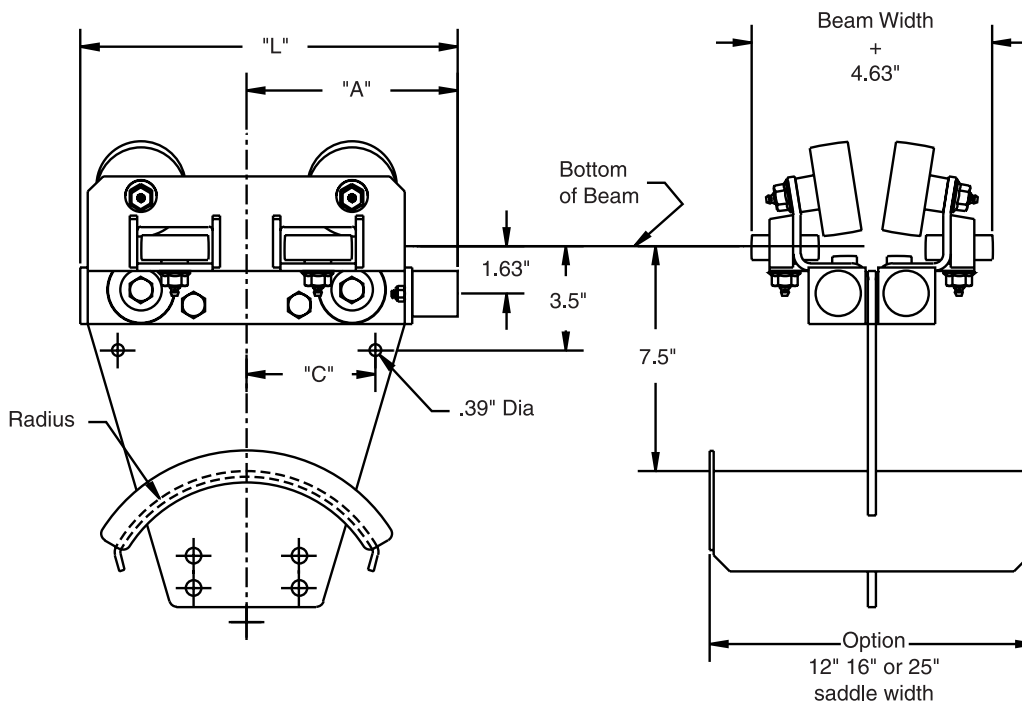




Mill Duty Intermediate Trolley



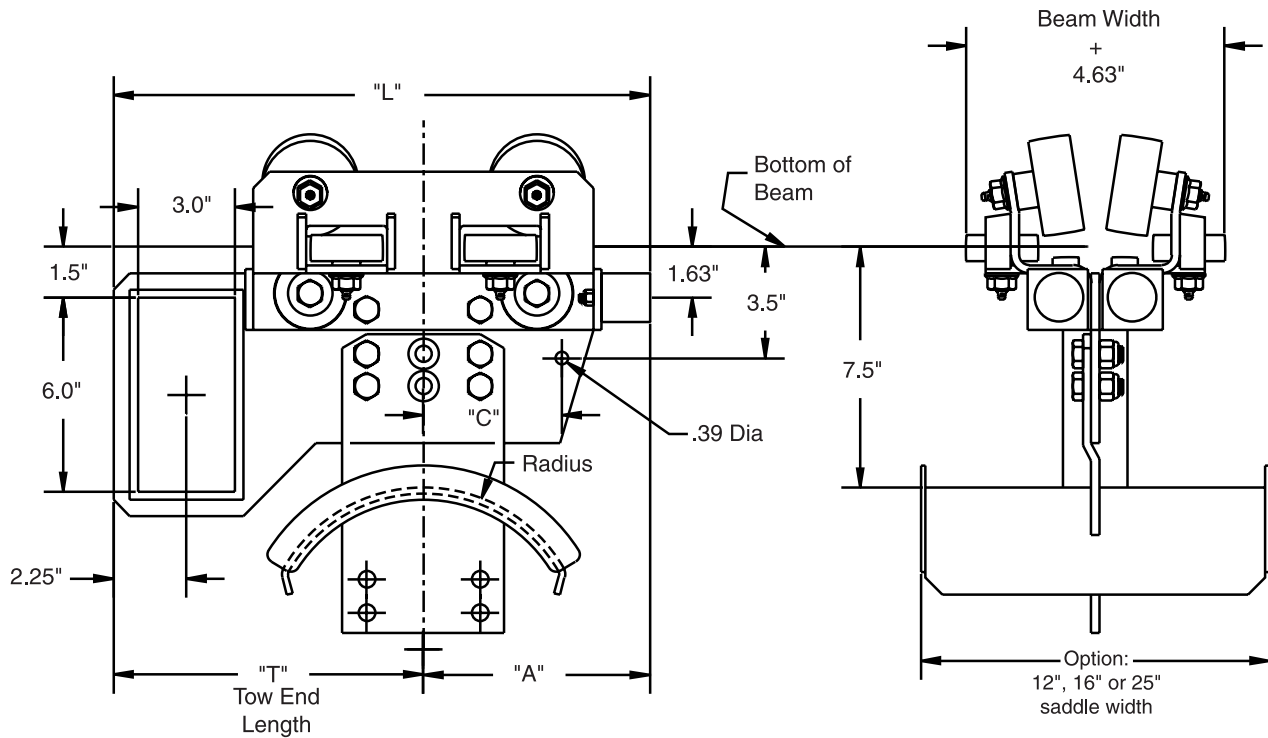
Saddle				
Type	Radius	Dim "L"	Dim "A"	Dim "C"
A4	4"	10.50"	6.00"	3.38"
B4	4"	10.50"	6.00"	3.38"
C4	4"	10.50"	6.00"	3.38"
D4	4"	12.50"	7.00"	3.38"
E4	4"	12.50"	7.00"	3.38"
F4	4"	12.50"	7.00"	3.38"
A6	6"	15.00"	8.25"	5.37"
B6	6"	15.00"	8.25"	5.37"
C6	6"	15.00"	8.25"	5.37"
D6	6"	17.00"	9.25"	5.37"
E6	6"	17.00"	9.25"	5.37"
F6	6"	17.00"	9.25"	5.37"
A8	8"	20.00"	10.75"	7.55"
B8	8"	20.00"	10.75"	7.55"
C8	8"	20.00"	10.75"	7.55"
D8	8"	20.00"	11.75"	7.55"
E8	8"	22.00"	11.75"	7.55"
F8	8"	22.00"	11.75"	7.55"
A0	10"	25.00"	13.25"	9.83"
B0	10"	25.00"	13.25"	9.83"
C0	10"	25.00"	13.25"	9.83"

All data subject to change without notice.





Mill Duty Tow Trolley



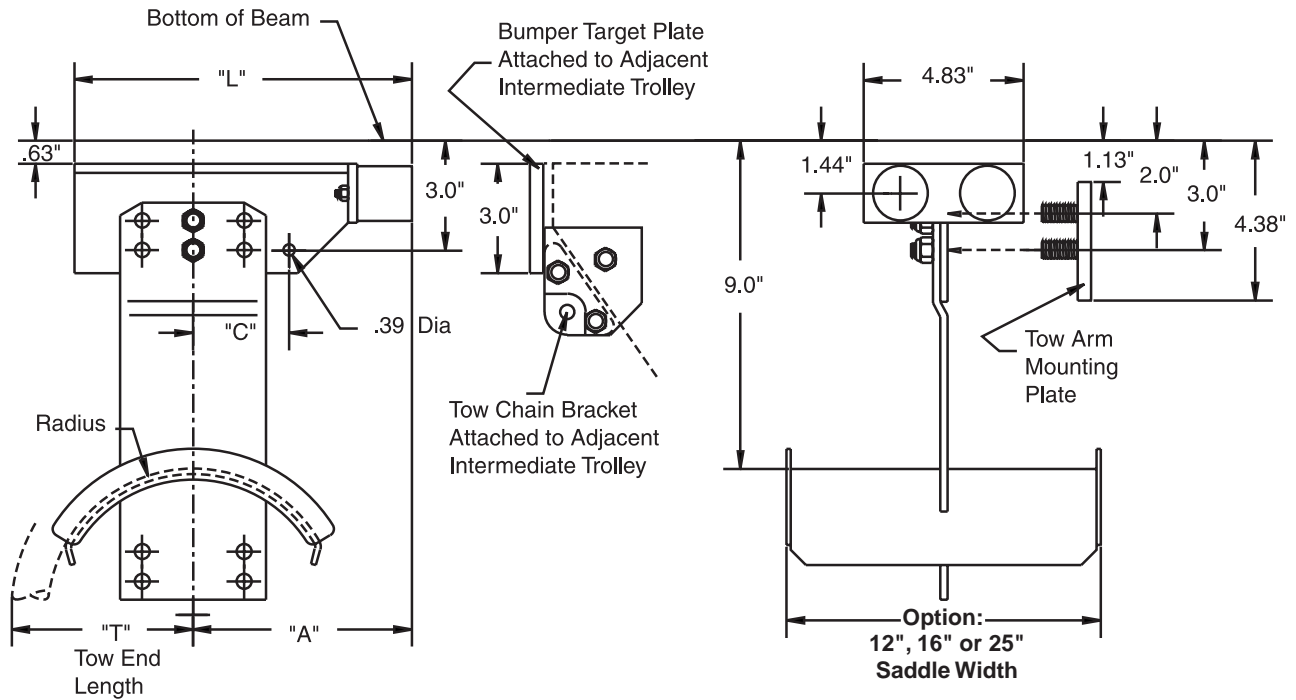
Saddle						Saddle					
Type	Radius	Dim "L"	Dim "A"	Dim "T"	Dim "C"	Type	Radius	Dim "L"	Dim "A"	Dim "T"	Dim "C"
A4	4"	14.50"	6.00"	8.60"	3.38"	F6	6"	21.00"	9.25"	11.80"	5.37"
B4	4"	14.50"	6.00"	8.60"	3.38"	A8	8"	24.00"	10.75"	13.30"	7.55"
C4	4"	14.50"	6.00"	8.60"	3.38"	B8	8"	24.00"	10.75"	13.30"	7.55"
D4	4"	16.50"	7.00"	9.60"	3.38"	C8	8"	24.00"	10.75"	13.30"	7.55"
E4	4"	16.50"	7.00"	9.60"	3.38"	D8	8"	26.00"	11.75"	14.30"	7.55"
F4	4"	16.50"	7.00"	9.60"	3.38"	E8	8"	26.00"	11.75"	14.30"	7.55"
A6	6"	19.00"	8.25"	10.80"	5.37"	F8	8"	26.00"	11.75"	14.30"	7.55"
B6	6"	19.00"	8.25"	10.80"	5.37"	A0	10"	29.00"	13.25"	15.80"	9.83"
C6	6"	19.00"	8.25"	10.80"	5.37"	B0	10"	29.00"	13.25"	15.80"	9.83"
D6	6"	21.00"	9.25"	11.80"	5.37"	C0	10"	29.00"	13.25"	15.80"	9.83"
E6	6"	21.00"	9.25"	11.80"	5.37"						

All data subject to change without notice.





Mill Duty Tow Cable Clamp



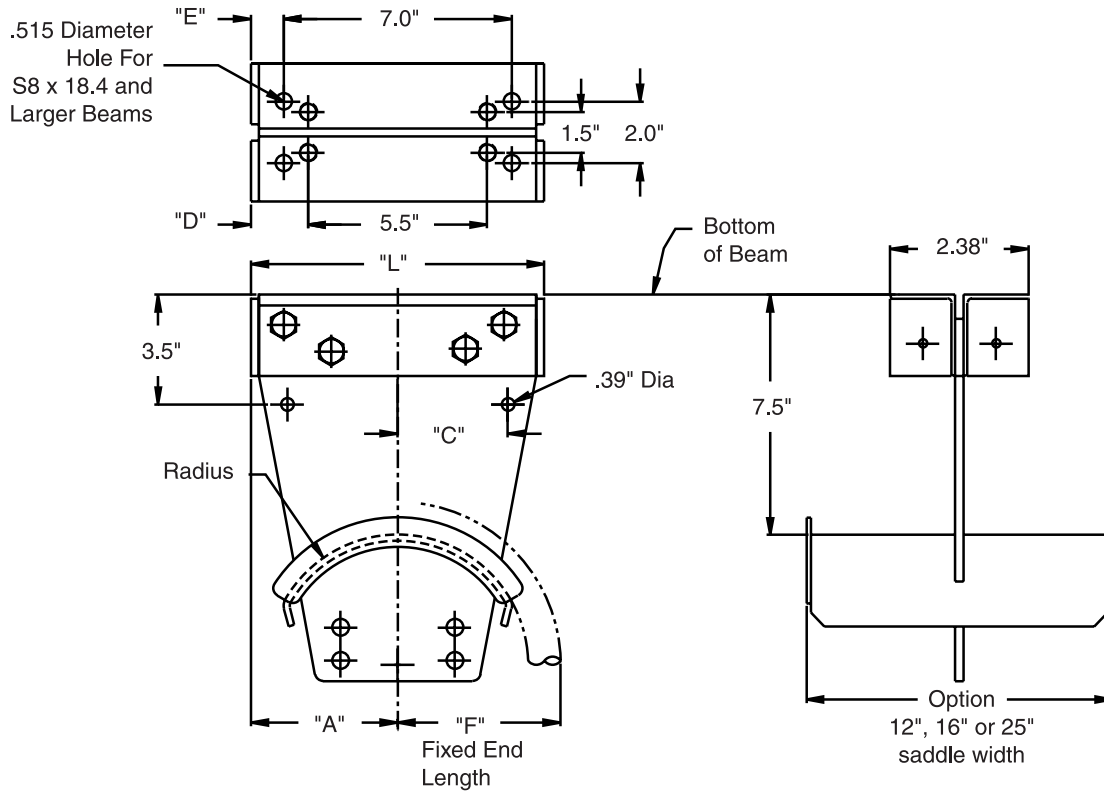
Saddle						Saddle					
Type	Radius	Dim "L"	Dim "A"	Dim "T"	Dim "C"	Type	Radius	Dim "L"	Dim "A"	Dim "T"	Dim "C"
A4	4"	9.75"	6.00"	5.00"	3.38"	F6	6"	12.50"	9.25"	8.25"	5.37"
B4	4"	9.75"	6.00"	5.00"	3.38"	A8	8"	14.00"	10.75"	9.75"	7.55"
C4	4"	9.75"	6.00"	5.00"	3.38"	B8	8"	14.00"	10.75"	9.75"	7.55"
D4	4"	10.25"	7.00"	6.00"	3.38"	C8	8"	14.00"	10.75"	9.75"	7.55"
E4	4"	10.25"	7.00"	6.00"	3.38"	D8	8"	15.00"	11.75"	10.75"	7.55"
F4	4"	10.25"	7.00"	6.00"	3.38"	E8	8"	15.00"	11.75"	10.75"	7.55"
A6	6"	11.50"	8.25"	7.25"	5.37"	F8	8"	15.00"	11.75"	10.75"	7.55"
B6	6"	11.50"	8.25"	7.25"	5.37"	A0	10"	16.50"	13.25"	12.25"	9.83"
C6	6"	11.50"	8.25"	7.25"	5.37"	B0	10"	16.50"	13.25"	12.25"	9.83"
D6	6"	12.50"	9.25"	8.25"	5.37"	C0	10"	16.50"	13.25"	12.25"	9.83"
E6	6"	12.50"	9.25"	8.25"	5.37"						

All data subject to change without notice.





Mill Duty Fixed Cable Grip



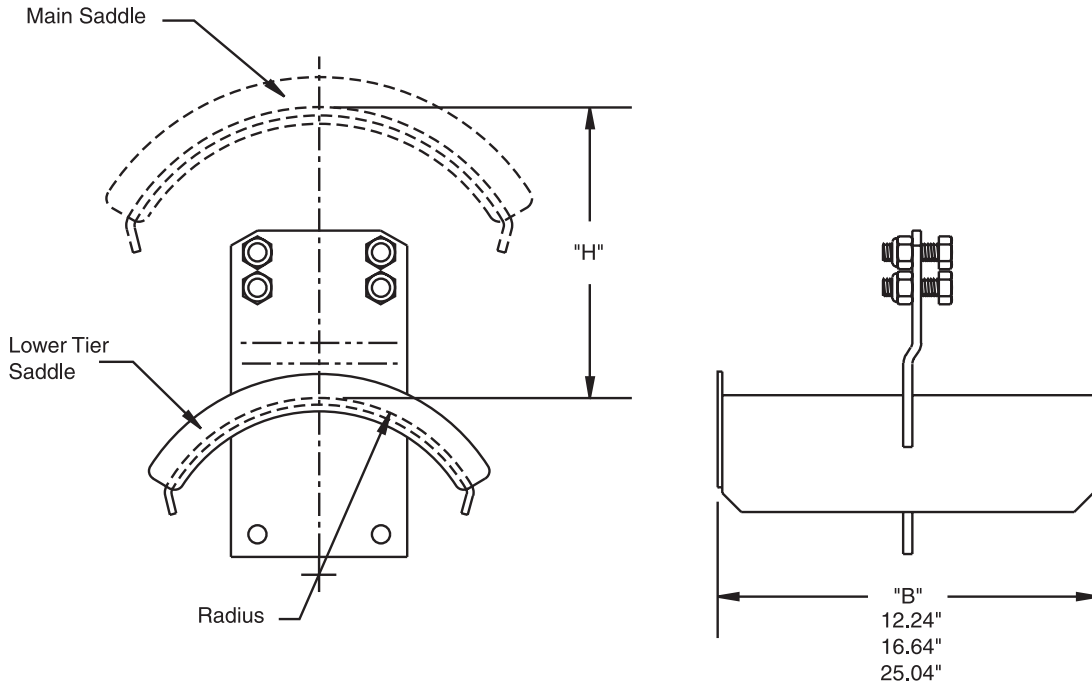
Saddle								Saddle							
Type	Radius	Dim "L"	Dim "F"	Dim "A"	Dim "E"	Dim "D"	Dim "C"	Type	Radius	Dim "L"	Dim "F"	Dim "A"	Dim "E"	Dim "D"	Dim "C"
A4	4"	9.00"	5.00"	4.50"	1.00"	1.75"	3.38"	E6	6"	15.50"	8.25"	7.75"	4.25"	5.00"	5.37"
B4	4"	9.00"	5.00"	4.50"	1.00"	1.75"	3.38"	F6	6"	15.50"	8.25"	7.75"	4.25"	5.00"	5.37"
C4	4"	9.00"	5.00"	4.50"	1.00"	1.75"	3.38"	A8	8"	18.50"	9.75"	9.25"	5.75"	6.50"	7.55"
D4	4"	11.00"	6.00"	5.50"	2.00"	2.75"	3.38"	B8	8"	18.50"	9.75"	9.25"	5.75"	6.50"	7.55"
E4	4"	11.00"	6.00"	5.50"	2.00"	2.75"	3.38"	C8	8"	18.50"	9.75"	9.25"	5.75"	6.50"	7.55"
F4	4"	11.00"	6.00"	5.50"	2.00"	2.75"	3.38"	D8	8"	20.50"	10.75"	10.25"	6.75"	7.50"	7.55"
A6	6"	13.50"	7.25"	6.75"	3.25"	4.00"	5.37"	E8	8"	20.50"	10.75"	10.25"	6.75"	7.50"	7.55"
B6	6"	13.50"	7.25"	6.75"	3.25"	4.00"	5.37"	F8	8"	20.50"	10.75"	10.25"	6.75"	7.50"	7.55"
C6	6"	13.50"	7.25"	6.75"	3.25"	4.00"	5.37"	A0	10"	23.50"	12.25"	11.75"	8.25"	9.00"	9.83"
D6	6"	15.50"	8.25"	7.75"	4.25"	5.00"	5.37"								

All data subject to change without notice.





Lower Saddles



Configuration Guidelines

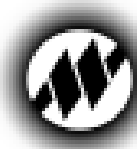
Main Saddle	2nd Saddle	3rd Saddle
10"R	8"R	6"R
8"R	6"R	4"R
6"R	4"R	N/A

When configuring a component with lower saddles (2nd and 3rd saddles) the lower saddles must be at least 2" R less than the saddle immediately above it.

The distance (H) between the lower saddle and the saddle above it is shown below:

Saddle Type	Lower Saddle Radius	(H) Dimension	Saddle Type	Lower Saddle Radius	(H) Dimension
A4	4"	7"	D6	6"	8"
B4	4"	7"	E6	6"	8"
C4	4"	7"	F6	6"	8"
D4	4"	8"	A8	8"	8"
E4	4"	8"	B8	8"	8"
F4	4"	8"	C8	8"	8"
A6	6"	7"	D8	8"	9"
B6	6"	7"	E8	8"	9"
C6	6"	7"	F8	8"	9"





MAGNETEK
UNCOMMON POWER

Electromotive Systems

Mill Duty I-Beam Festoon Systems

Technical Bulletin FS-MILL6

Mill Duty Trolley Selector Guide

1. Select Type of Component

- 4- Intermediate Trolley
- 5-Tow Trolley
- 6-End Cable Clamp
- 7-Cable Tow Trolley

2. Select Wheel Configuration

- H-Steel Main Wheels
 - J-Steel Main Wheels with Grease Fittings
 - K-Steel Main Wheels & Anti-Lift Wheel
 - L-Steel Main Wheels & Anti-Lift Wheel with Grease Fittings
 - M-Steel Main Wheels, Side Guide Wheels
 - N-Steel Main Wheels, Side Guide Wheels with Grease Fittings
 - P-Steel Main Wheels, Side Guide Wheels & Anti-Lift Wheels
 - R-Steel Main Wheels, Side Guide Wheels & Anti-Lift Wheels with Grease Fittings
 - S-Polyurethane Main Wheel, Side Guide Wheels
 - T-Polyurethane Main Wheels, Side Guide Wheels with Grease Fittings
 - V-Polyurethane Main Wheels, Side Guide Wheels & Anti-Lift Wheels *
 - W-Polyurethane Main Wheels, Side Guide Wheels & Anti-Lift Wheels * with Grease Fittings
 - X-No Wheels (Cable Clamp and Tow Clamp)
- *- *Anti-Lift Wheels are only available in steel*

3. Select Saddle Configuration

- A4-4" Radius Saddle / 12" Width / 1" Depth
- B4-4" Radius Saddle / 16" Width / 1" Depth
- C4-4" Radius Saddle / 25" Width / 1" Depth
- D4-4" Radius Saddle / 12" Width / 2" Depth
- E4-4" Radius Saddle / 16" Width / 2" Depth
- F4-4" Radius Saddle / 25" Width / 2" Depth
- A6-6" Radius Saddle / 12" Width / 1.25" Depth
- B6-6" Radius Saddle / 16" Width / 1.25" Depth
- C6-6" Radius Saddle / 25" Width / 1.25" Depth
- D6-6" Radius Saddle / 12" Width / 2.25" Depth
- E6-6" Radius Saddle / 16" Width / 2.25" Depth
- F6-6" Radius Saddle / 25" Width / 2.25" Depth
- A8-8" Radius Saddle / 12" Width / 1.75" Depth
- B8-8" Radius Saddle / 16" Width / 1.75" Depth
- C8-8" Radius Saddle / 25" Width / 1.75" Depth
- D8-8" Radius Saddle / 12.75" Width / 2.75" Depth
- E8-8" Radius Saddle / 16" Width / 2.75" Depth
- F8-8" Radius Saddle / 25" Width / 2.75" Depth
- A0-10" Radius Saddle / 12" Width / 2.25" Depth
- B0-10" Radius Saddle / 16" Width / 2.25" Depth
- C0-10" Radius Saddle / 25" Width / 2.25" Depth

4. Select Cable Clamping Method

- A-Nylon Cable Ties
- B-Bar Clamp - 1 Point Clamping
- C-Bar Clamp - 2 Point Clamping
- D-None

5. Select Lower Saddle (2nd)

- Use the same identifiers as saddle selector.
Note: The 2nd saddle must have a 2" lower radius than the 1st upper saddle.
Select (00) if lower saddle is not needed.

6. Select Cable Clamping Method

- A-Nylon Cable Ties
- B-Bar Clamp - 1 Point Clamping
- C-Bar Clamp - 2 Point Clamping
- D-None

7. Select Lower Saddle (3rd)

- Use the same identifiers as saddle selector.
Note: The 3rd saddle must have a 2" lower radius than the 2nd upper saddle.
Select (00) if lower saddle is not needed.

8. Select Cable Clamping Method

- A-Nylon Cable Ties
- B-Bar Clamp - 1 Point Clamping
- C-Bar Clamp - 2 Point Clamping
- D-None

9. Select I-Beam Size

- 1-S8 @ 18.4#/ft
- 2-S8 @ 23.0#/ft
- 3-S10 @ 25.4 #/ft
- 4-S10 @ 35.0 #/ft
- 5-S12 @ 31/8 #/ft
- 0-None

10. Select Material Finish

- SF-Standard finish zinc plated with gold dichromate finish
- HD-Hot dipped galvanized finish
- SS-Stainless Steel



MAGNETEK
UNCOMMON POWER

www.electromotive.com

Electromotive Systems

PO Box 13615
Milwaukee, WI 53213
Phone: 800-288-8178
Fax: 800-298-3503

N49 W13650 Campbell Drive
Milwaukee, WI 53051