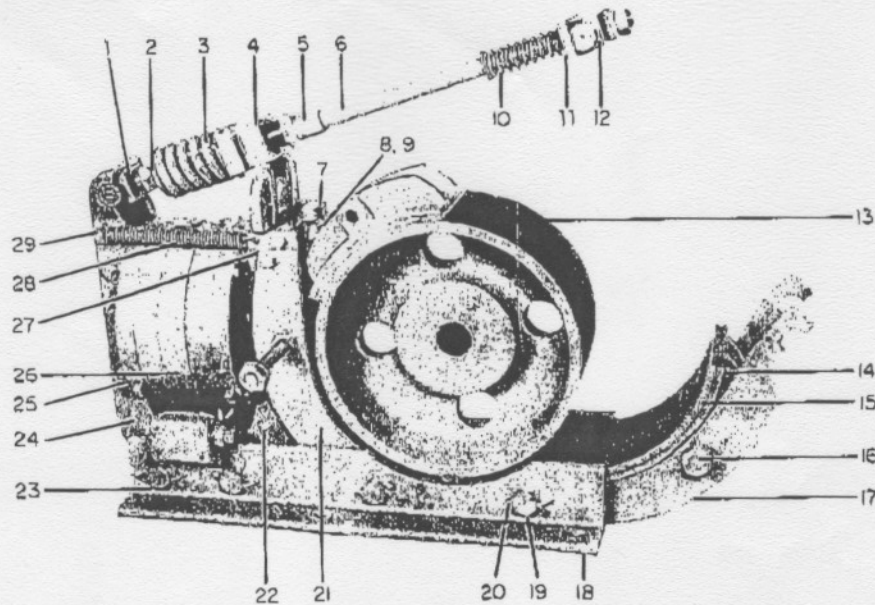


## Replacement Parts List – Type TM Frames 83 and 3014

### DC Magnetic Shoe Brakes



Ref. No.	Description of Part	Part Numbers							No. Used	
		Frame 83	Frame 1035	Frame 1355	Frame 1665	Frame 1985	Frame 2311	Frame 3014		
1	Hinge block, magnet end	E008057	E006047	E013125	E016073	E019070	E023082	E030095	1	
2	Main spring seat	E008037	E010076	E013039	E016208	E019042	E023038	E030026	1	
3*	Main spring	E008039	E010080	E013042	E016039	E019044	E023045	E030025	1	
4	Inner hinge block	E008034	E010074	E013036	E016035	E019039	E023036	E030031	1	
5	Release bushing	E010075	E010075	E013037	E013037	E019039	E019039	E030032	1	
6										
7	Tie rod	E008049	E010088	E013052	E016200	E019057	E023047	E030033	1	
8	Adjusting screw block	E008041	E010083	E013045	E016040	E019049	E023046	E030034	1	
9	Adjusting screw	E008035	E008035	E016038	E016036	E019040	E019040	E030035	1	
10	Flex locknut	NO LONGER AVAILABLE								
10*	Wheel end spring	E010079	E010079	E013041	E016207	E023027	E023027	E023027	1	
11	Wheel end spring seat	E008031	E008031	E013031	E016209	E019032	E023030	E030036	1	
12	Wheel and hinge block	E008068	E008068	E016031	E016205	E019071	E023063	E030097	1	
13	Brake wheel	②	②	②	②	②	②	②	1	
14	Brake shoe complete	E008025	E010047	E013025	E016025	E019024	E023025	E030027	2	
15* ③	Lining & rivet kit	E008057	E010114	E013055	E016053	E019055	E023055	E030054	1	
16	Brake shoe bolt	E010070	E010070	E013053	E016027	E019027	E023028	E030040	2	
17	Outer brake shoe arm	E008042	E010115	E013064	E016080	E019058	E023058	E030041	1	
①	Bushing	E008028	E008028	E013027	E013027	E019028	E019028	E030045	2	
18	Base	E008059	E010116	E013068	E016051	E019066	E023057	E030042	1	
19	Bushing	E008028	E008028	E013028	E013028	E019029	E019029	E030045	8	
20	Pivot pin	E010072	E010072	E013034	E016033	E019038	E023034	E030043	4	
21	Inner brake shoe arm	E008060	E010117	E013057	E016061	E019067	E023056	E030044	1	
①	Bushing	E008028	E008028	E013027	E013027	E019028	E019028	E030045	2	
22	Clapper and arm	E008061	E010118	E013058	E016052	E019059	E023052	E030046	1	
①	Bushing	E008027	E008027	E013027	E013027	E019028	E019028	E030045	2	
23	Stop pin	E008029	E008029	E013030	E016028	E019030	E023029	E030047	1	
24	Clapper arm	E008045	E010119	E013056	E016063	E019060	E023051	E030048	1	
25	Clapper	E008030	E010078	E013029	E016050	E019031	E023040	E030049	1	
26*	Coil and magnet	②	②	②	②	②	②	②	2	
①	Dust seal for coil	E008038	E010077	E013040	E016038	E019043	E023039	E030050	1	
27	Spring clip	E008032	E008032	E013032	E016030	E019033	E023031	E030051	2	
28*	Tension spring	E008040	E010085	E013044	E013044	E023044	E023044	E030052	2	
29	Tension spring pin	E010073	E010073	E013035	E016034	E019037	E023038	E030053	1	

- ① Not illustrated
- ② When ordering, give complete nameplate reading and part number stamped on part
- \* Recommended for stock
- ▼ Standard hardware item
- ③ Lining Kit for old style brakes with rivet type lining

Note: As of January 1993 brake assemblies and replacement shoes have bonded linings.